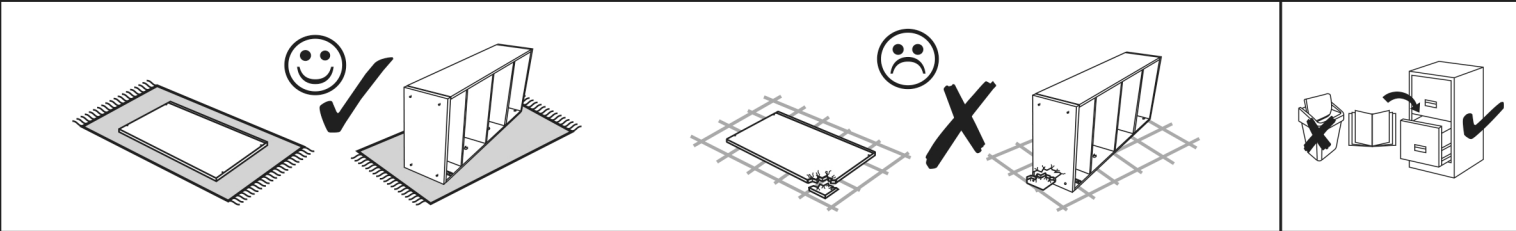
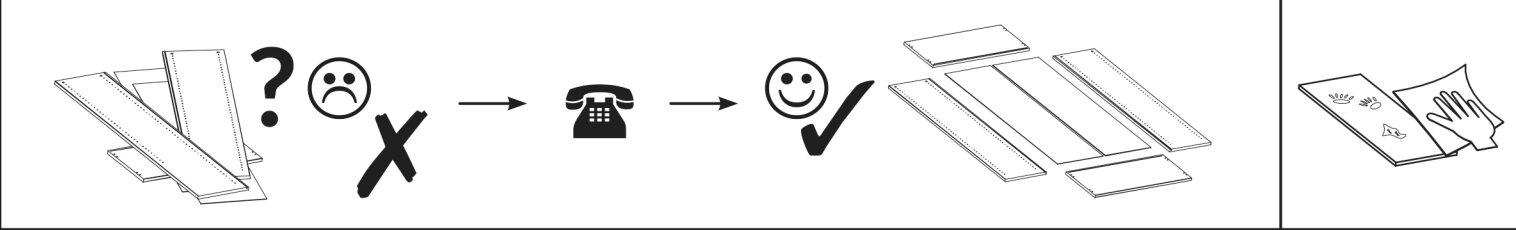
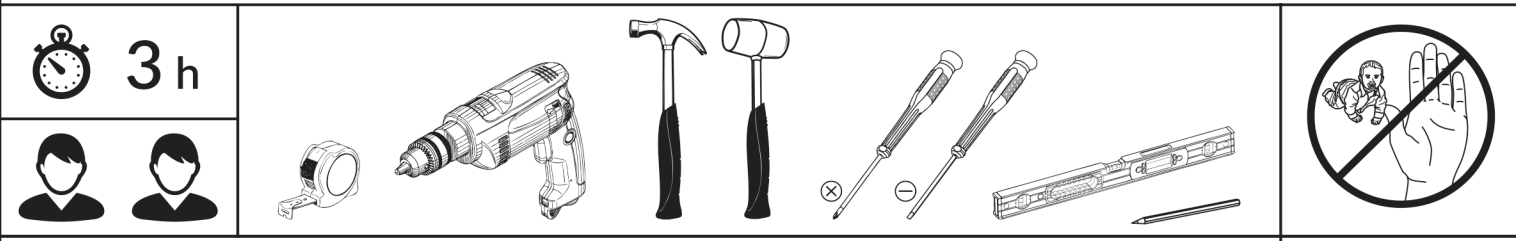
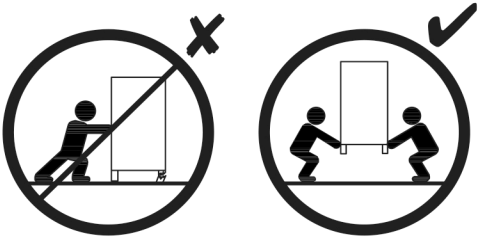
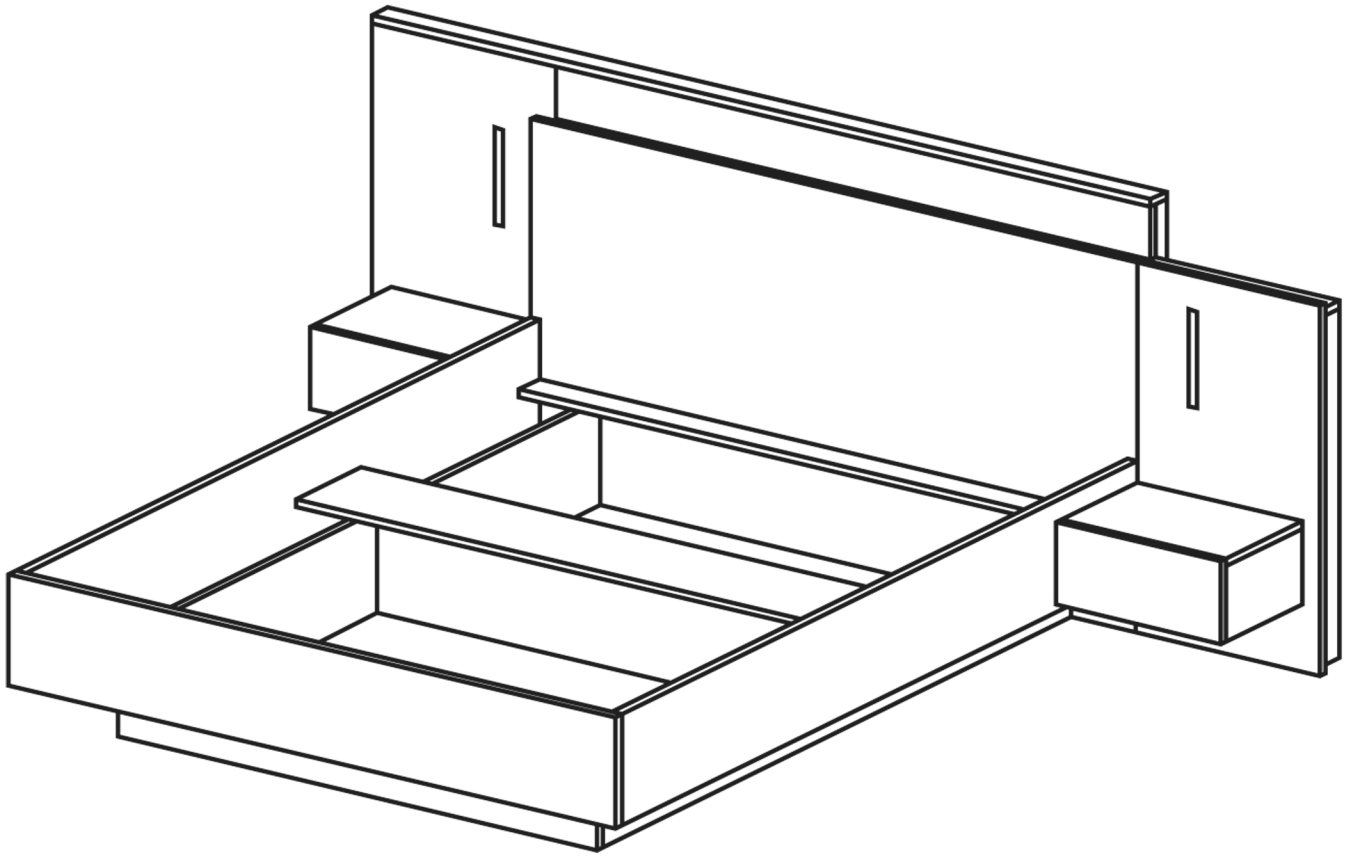
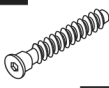
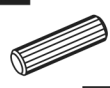


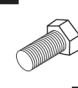

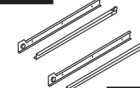

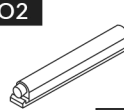



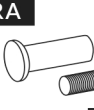
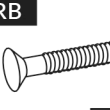

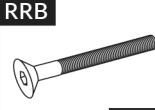


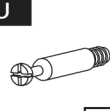
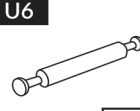



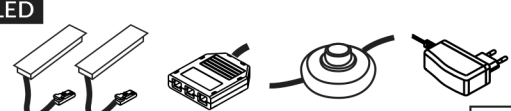
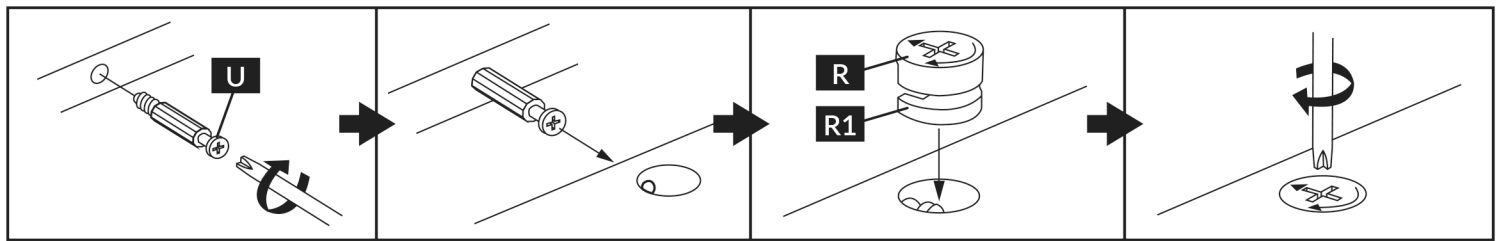
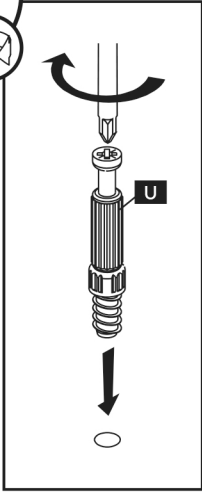
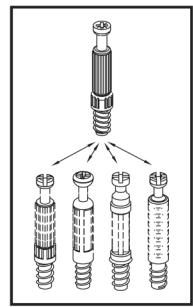
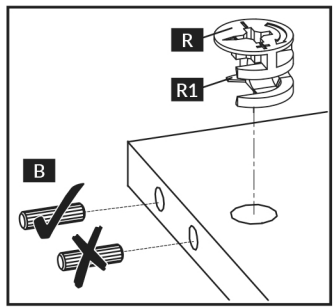
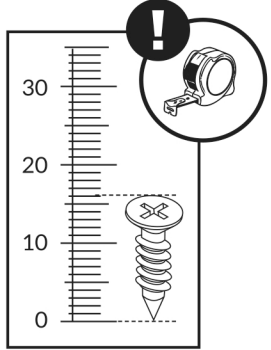
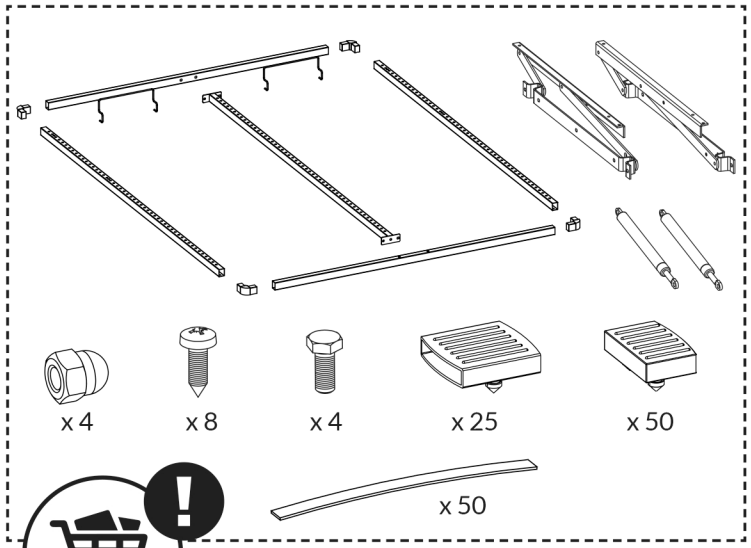


# TRIO B



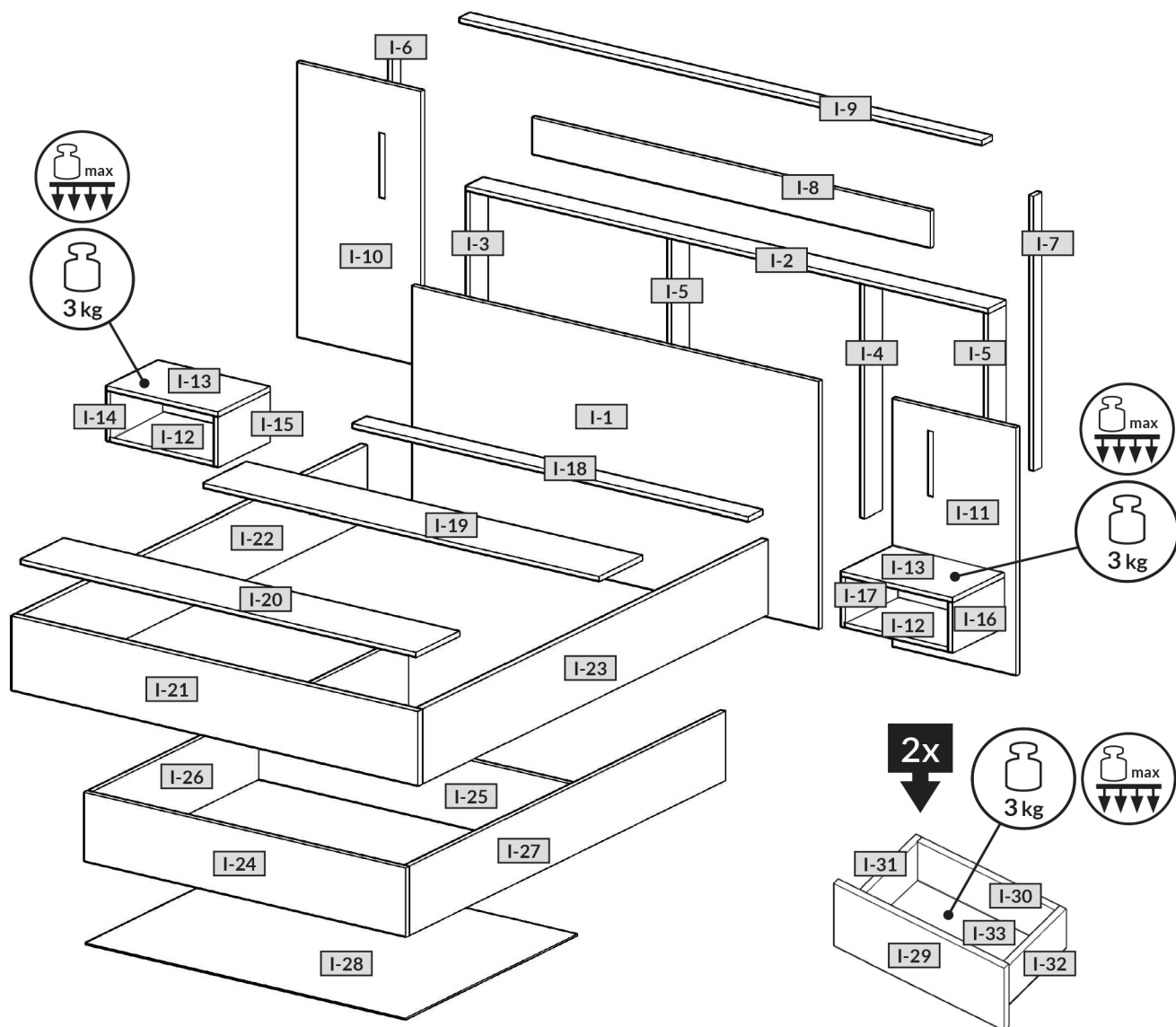
<b>A</b>  7x50 mm x 20	<b>B</b>  8x32 mm x 85	<b>E2</b>  3x20 mm x 68	<b>E5</b>  4x16 mm x 32	<b>EE2</b>  x 10	<b>G2</b>  x 19	<b>K</b>  L=250 mm x 2	<b>O1</b>  x 10
<b>O2</b>  x 2	<b>QA</b>  x 10	<b>R</b>  H=11 mm x 58	<b>R1</b>  H=15 mm x 4	<b>RA</b>  x 4	<b>RB</b>  x 8	<b>RRA</b>  H=16 mm x 4	<b>RRB</b>  6x55 x 8
<b>RRC</b>  H=13 mm x 4	<b>T3</b>  5x9 mm x 12	<b>U</b>  L=24,3 mm x 52	<b>U6</b>  L=54 mm x 5	<b>W9</b>  x 4	<b>XA</b>  x 1	<b>ZR</b>  Ø 15 x 62	
<b>LED</b>  x 1							



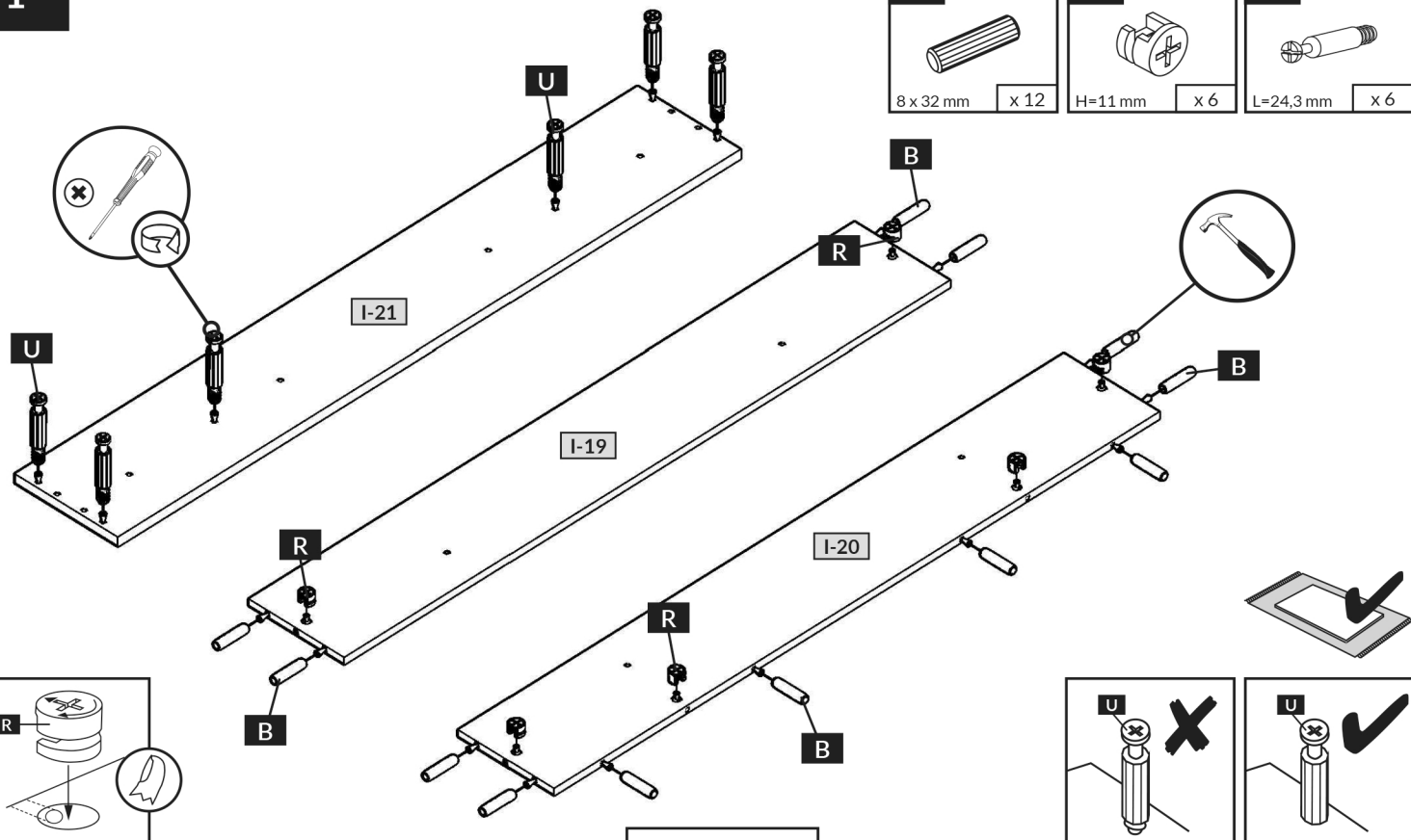


nr	↔ [mm]	↓ [mm]	∅ [mm]	Menge	Colli
I-1	900	1644	16	x 1	1/2
I-2	2112	100	16	x 1	2/2
I-3	852	100	16	x 1	1/2
I-4	852	100	16	x 1	2/2
I-5	852	100	16	x 2	1/2
I-6	1000	44	16	x 1	2/2
I-7	1000	44	16	x 1	2/2
I-8	132	1612	16	x 1	2/2
I-9	2112	60	16	x 1	2/2
I-10	1000	500	16	x 1	1/2
I-11	900	500	16	x 1	1/2
I-12	418	300	16	x 1	1/2
I-13	450	300	16	x 2	2/2
I-14	184	300	16	x 1	2/2
I-15	184	300	16	x 1	2/2
I-16	184	300	16	x 1	2/2
I-17	184	300	16	x 1	2/2

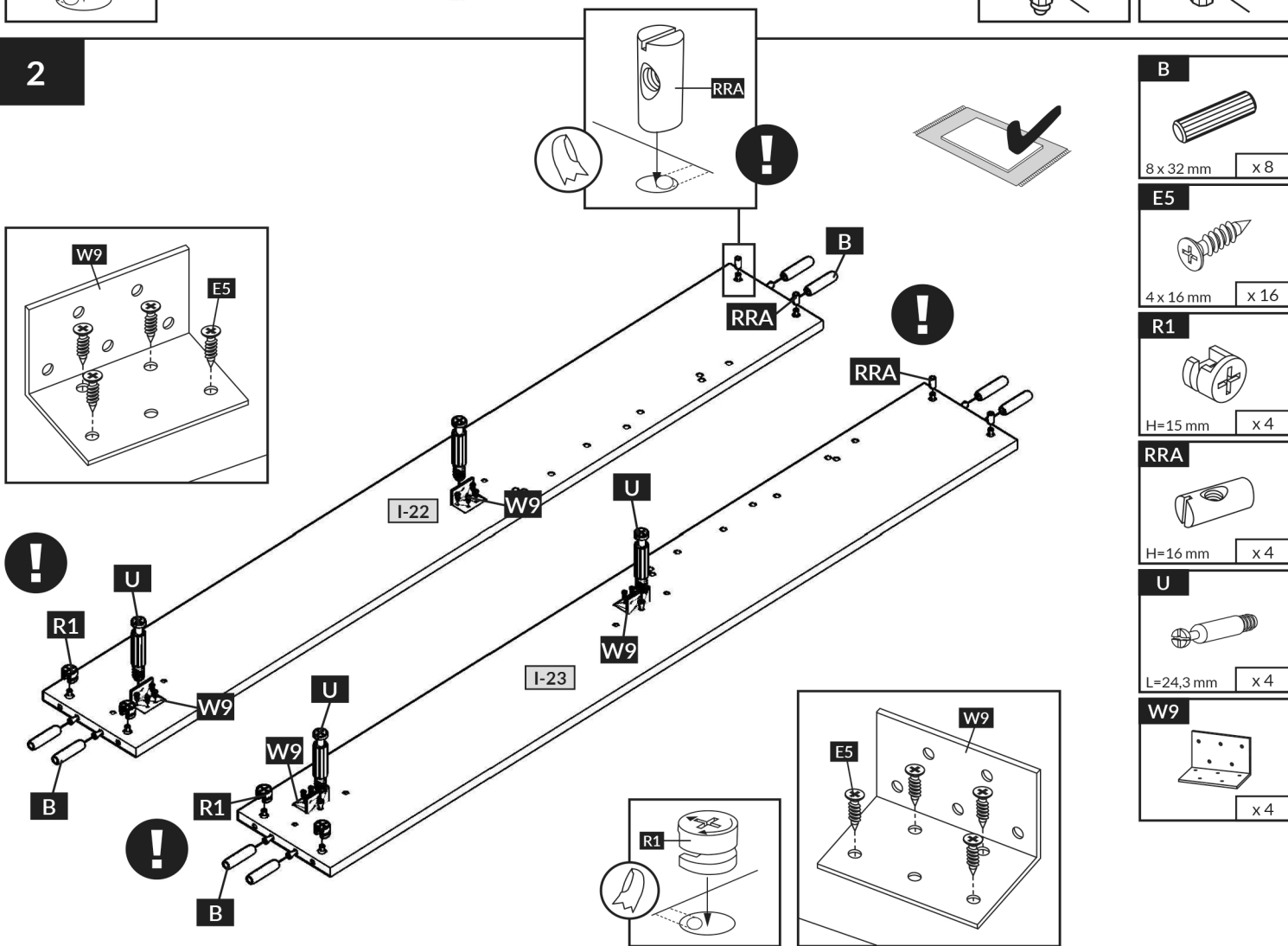
nr	↔ [mm]	↓ [mm]	∅ [mm]	Menge	Colli
I-18	1600	80	16	x 1	1/2
I-19	1600	250	16	x 1	1/2
I-20	1600	250	16	x 1	1/2
I-21	1645	272	22	x 1	2/2
I-22	2022	270	22	x 1	2/2
I-23	2022	270	22	x 1	2/2
I-24	1301	250	16	x 1	1/2
I-25	1268	250	16	x 1	1/2
I-26	1850	250	16	x 1	2/2
I-27	1850	250	16	x 1	2/2
I-28	1296	1002	3	x 1	1/2
I-29	446	196	16	x 2	1/2
I-30	361	120	16	x 2	2/2
I-31	250	120	16	x 2	2/2
I-32	250	120	16	x 2	2/2
I-33	392	256	3	x 2	1/2



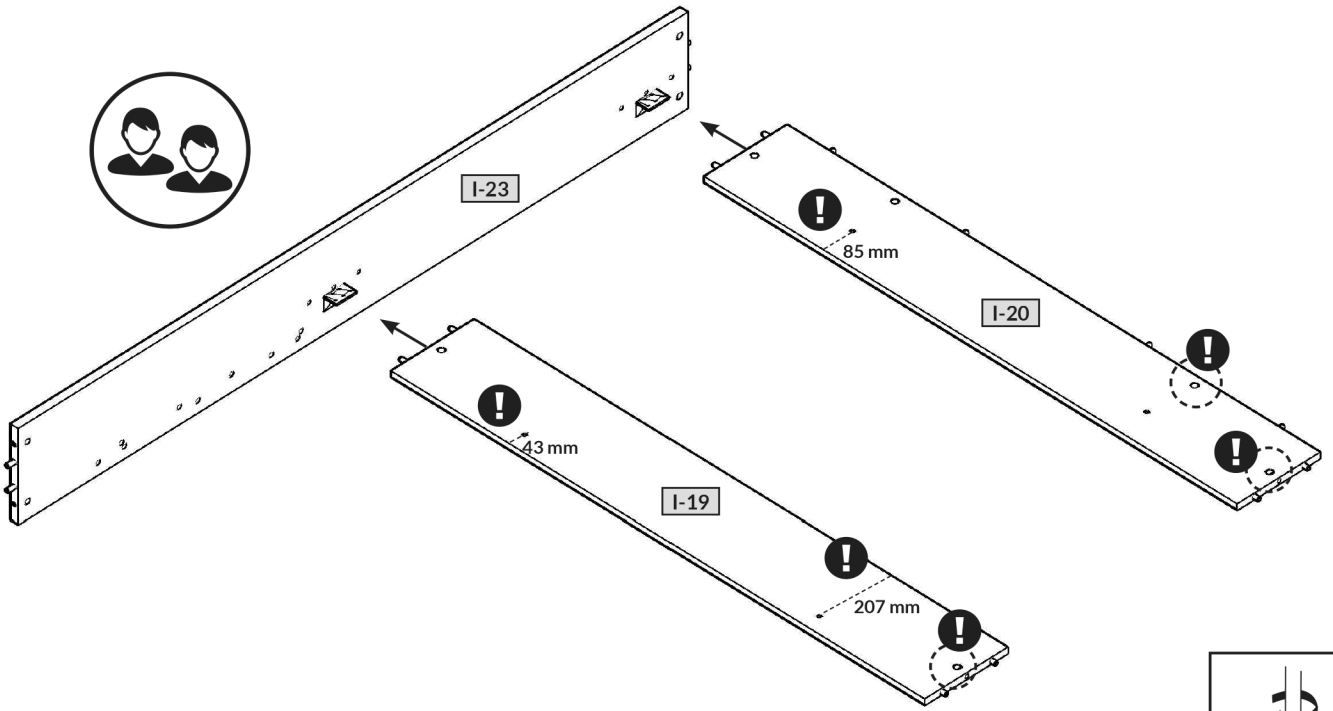
1



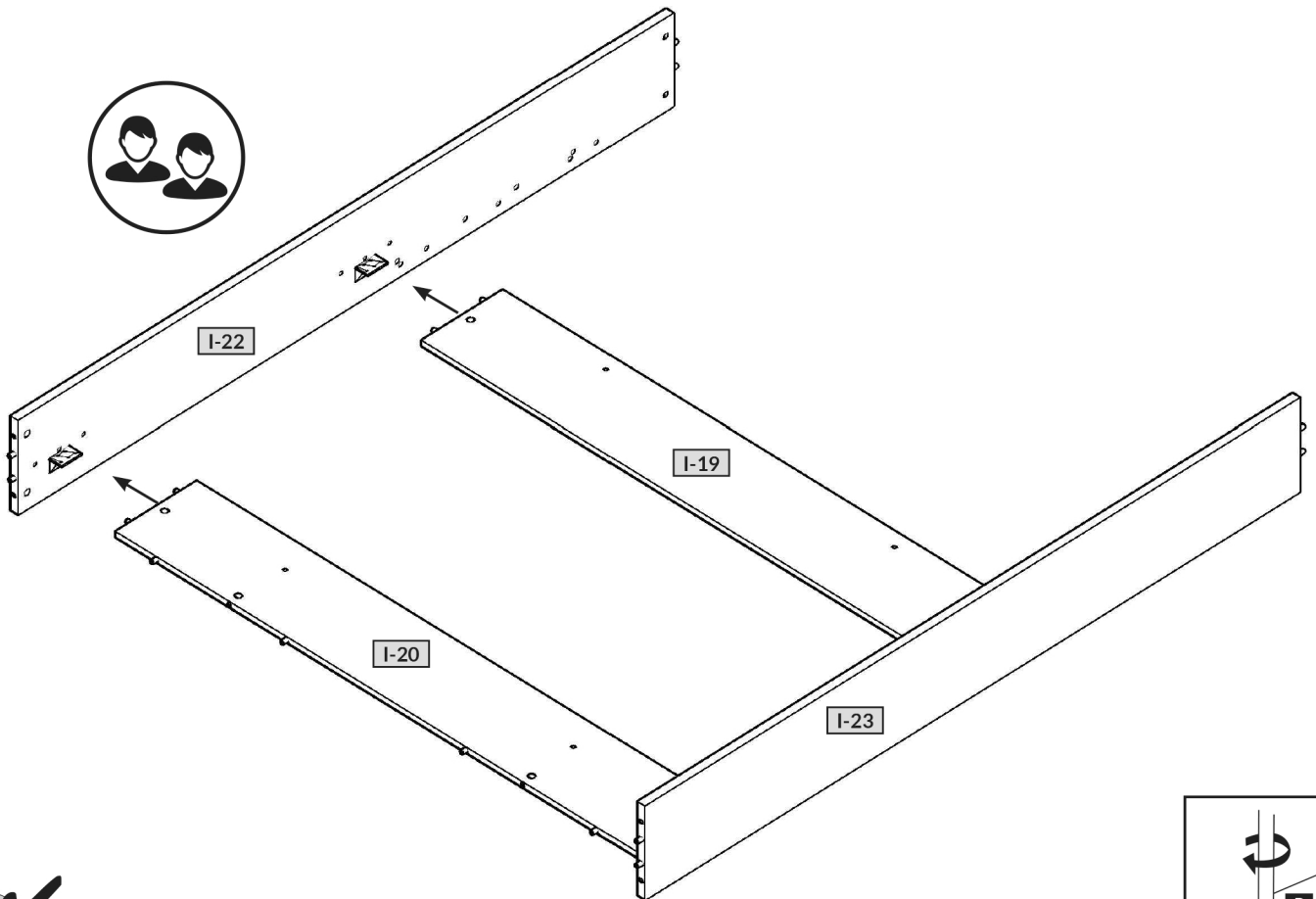
2



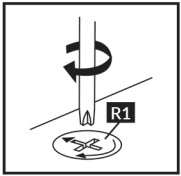
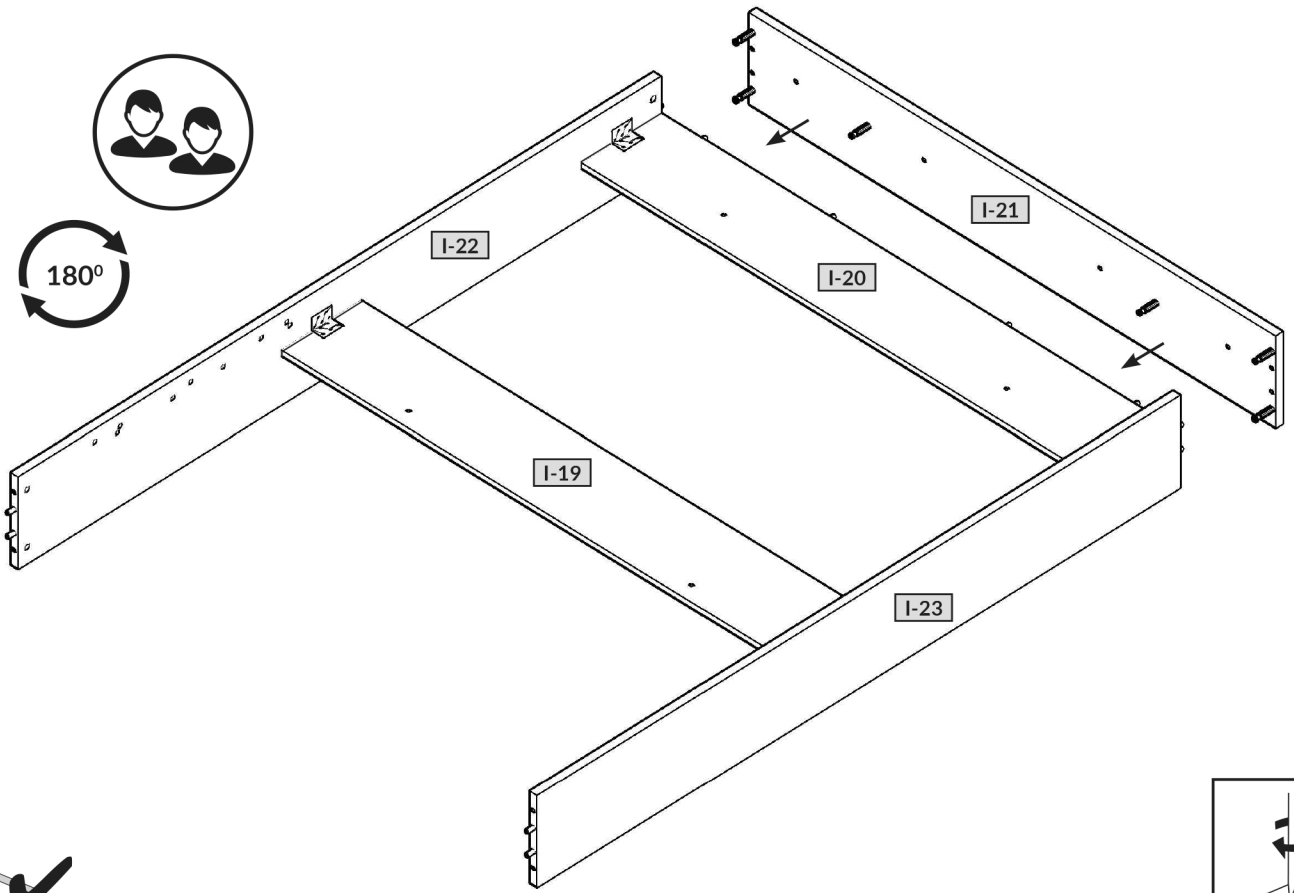
3



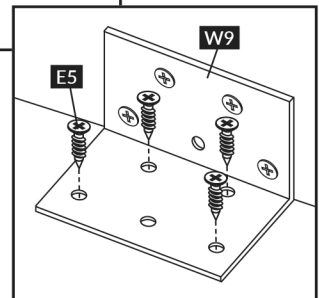
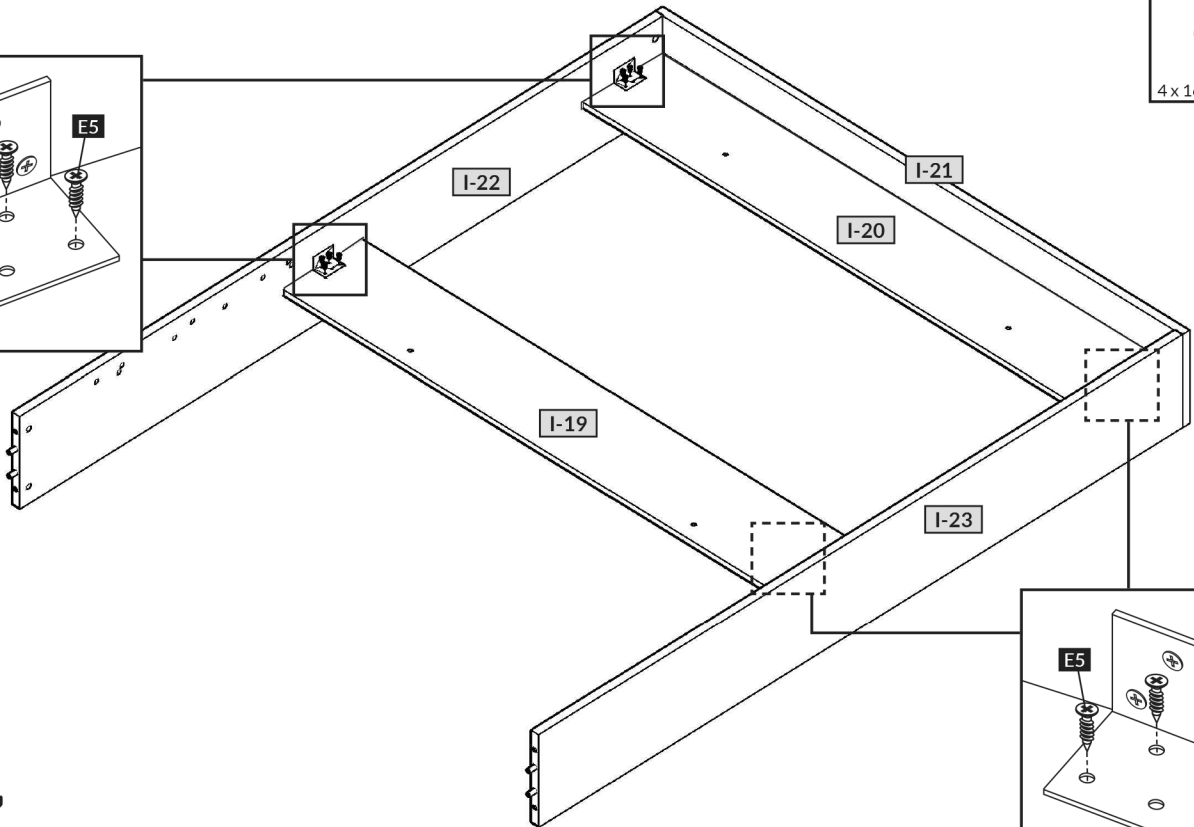
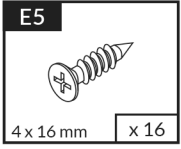
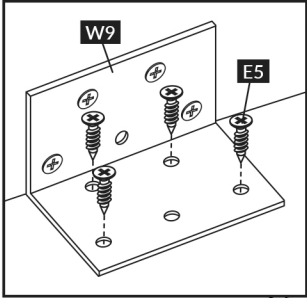
4



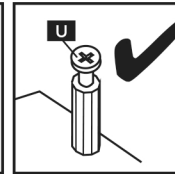
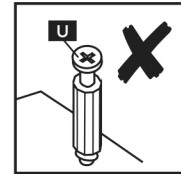
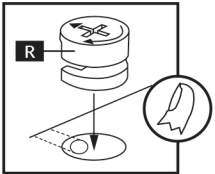
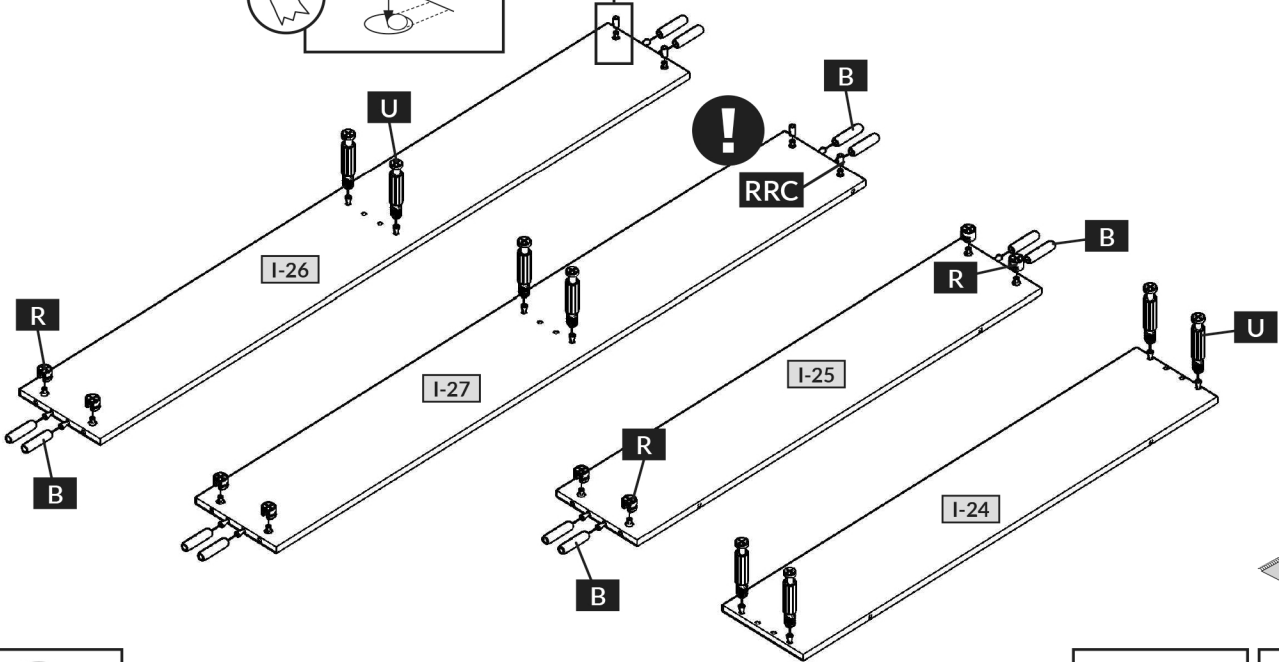
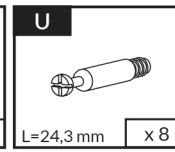
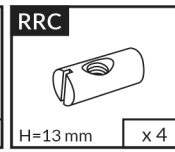
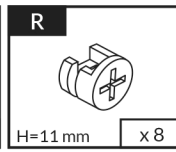
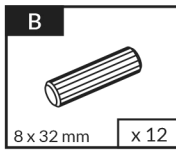
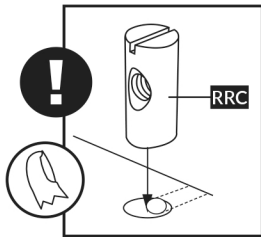
5



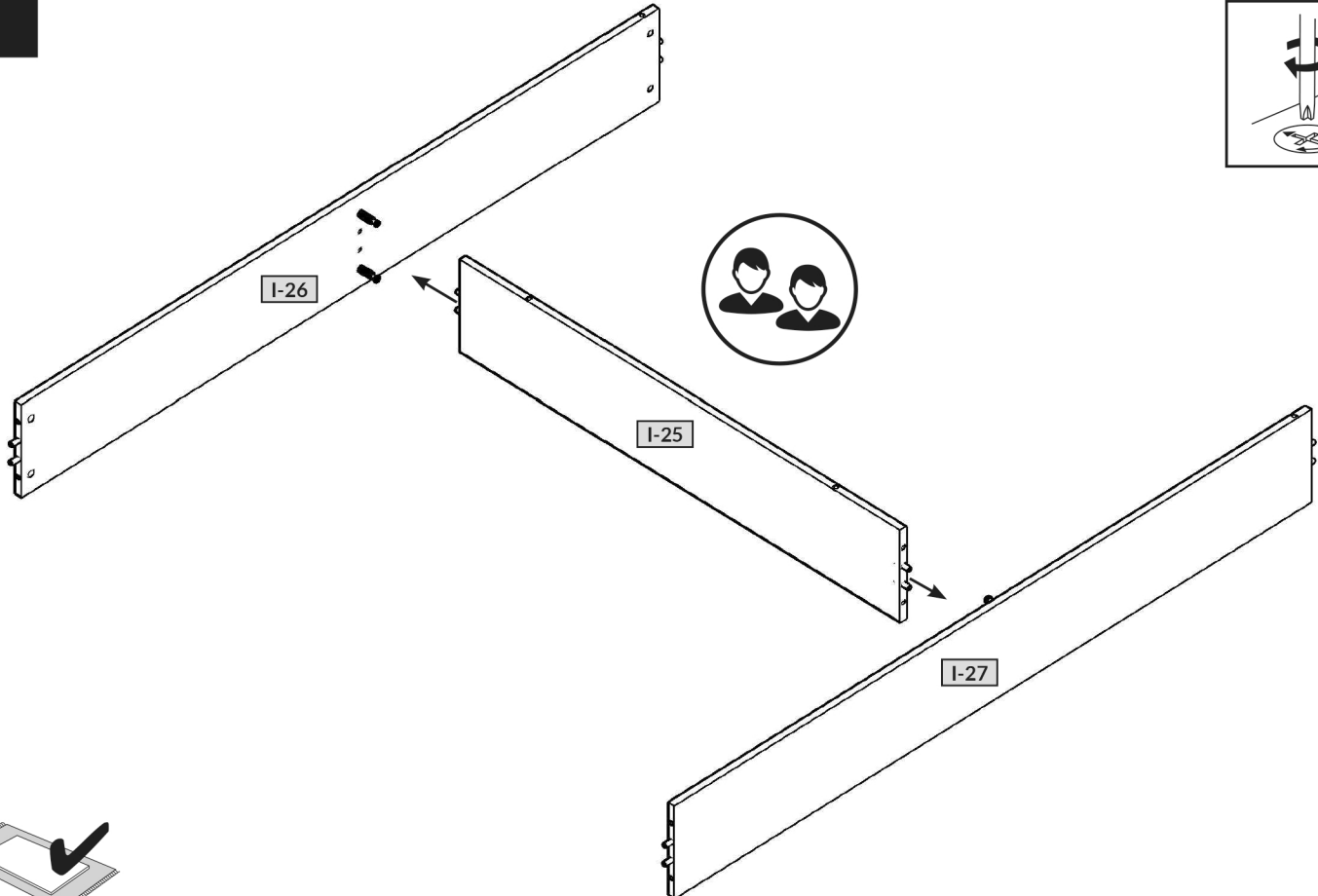
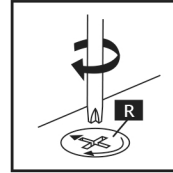
6



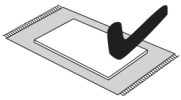
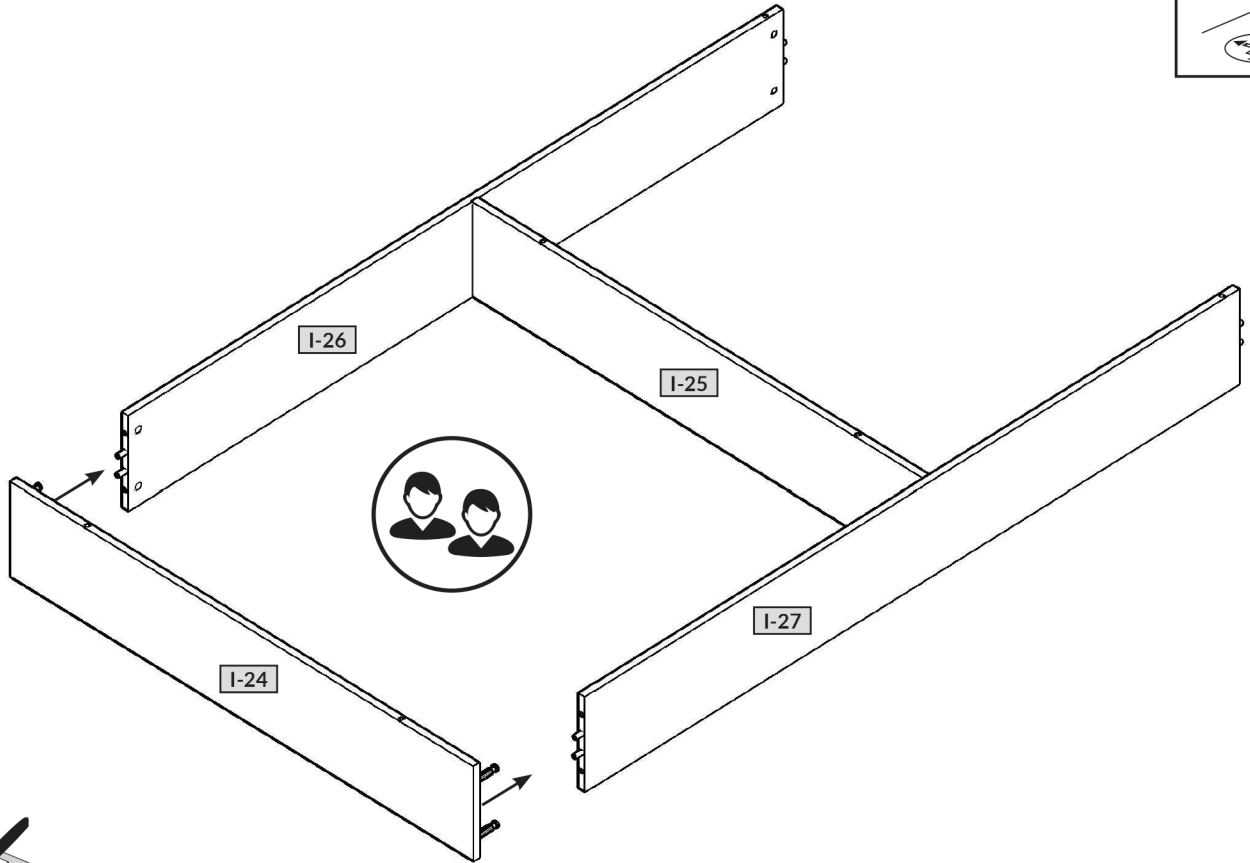
7



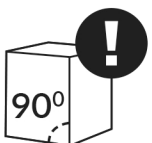
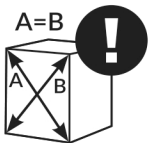
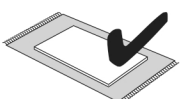
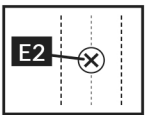
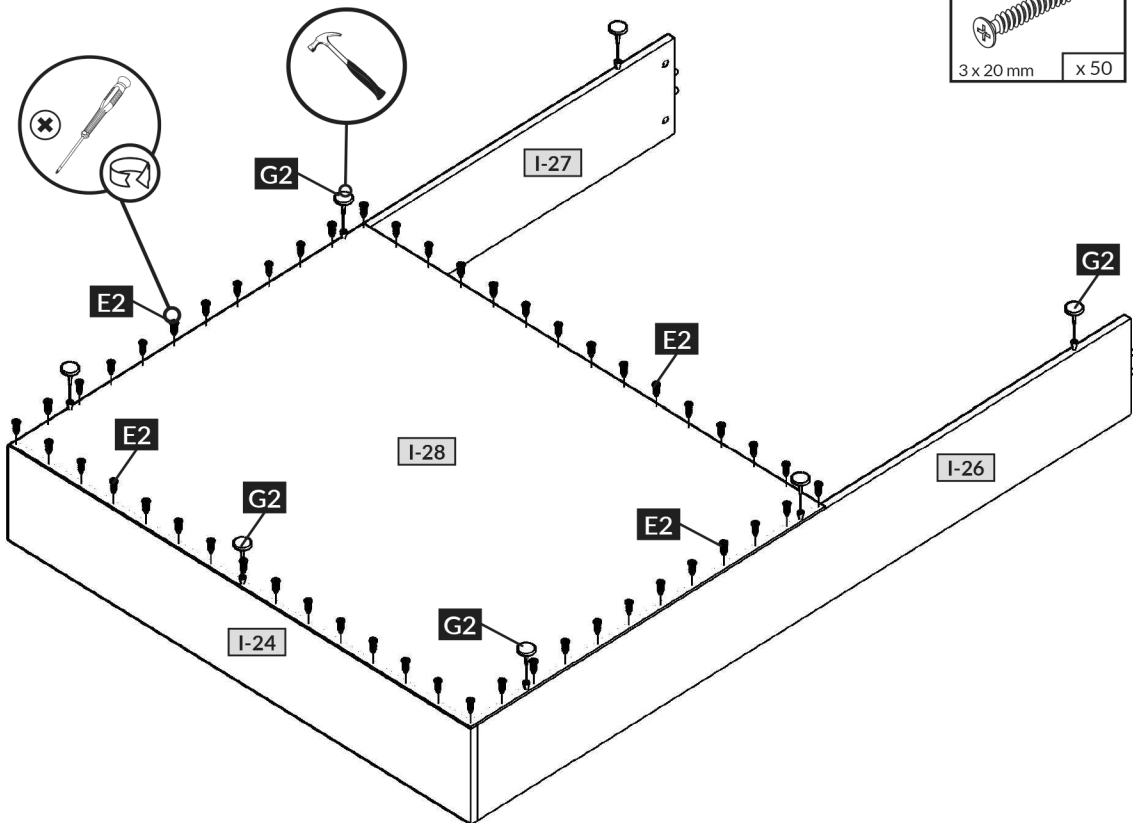
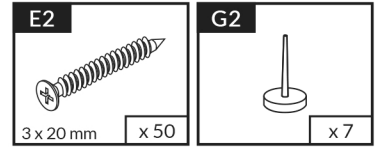
8



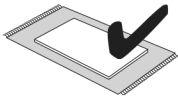
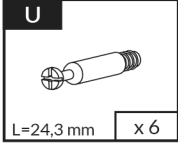
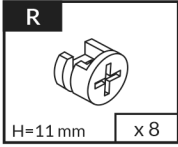
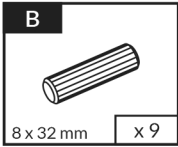
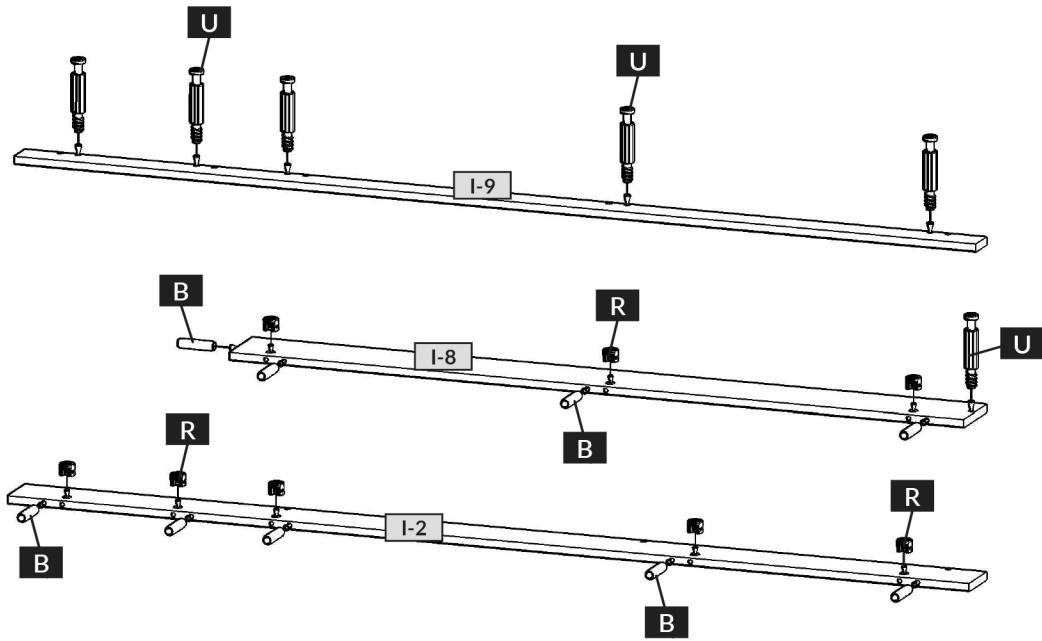
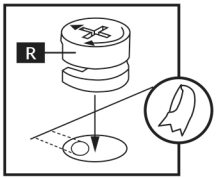
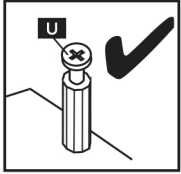
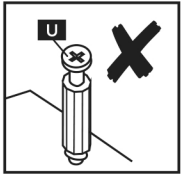
9



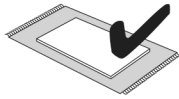
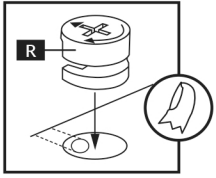
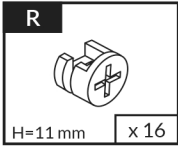
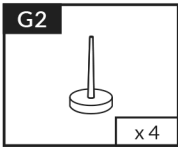
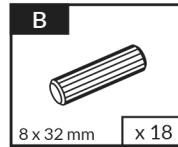
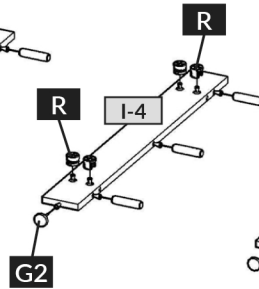
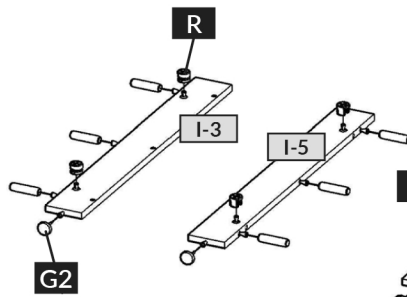
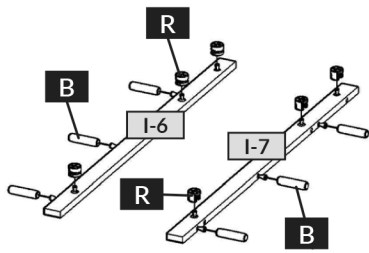
10



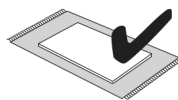
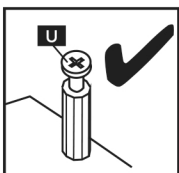
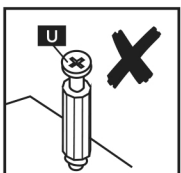
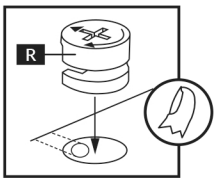
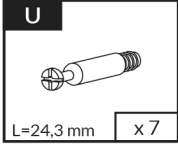
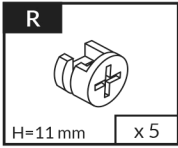
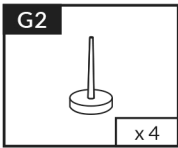
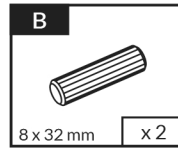
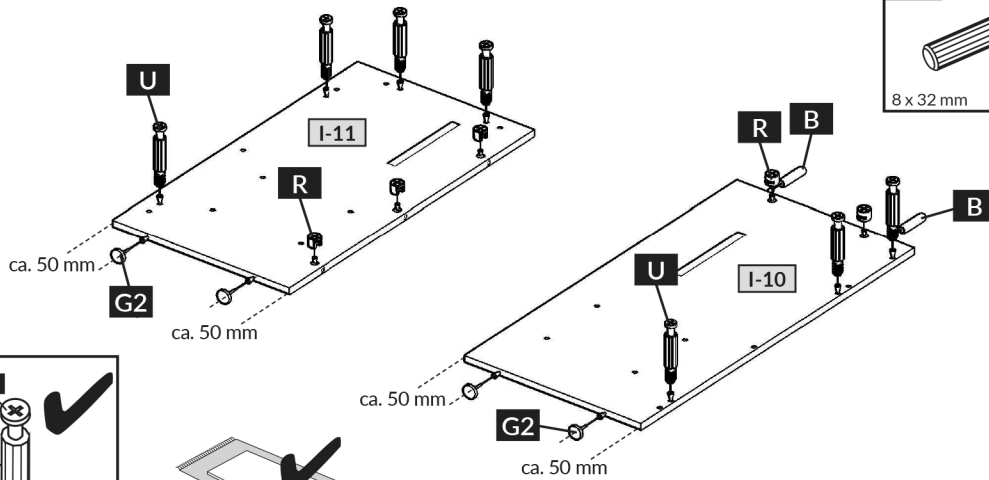
# 11



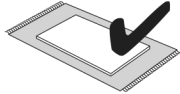
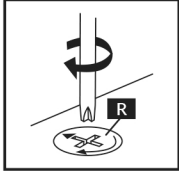
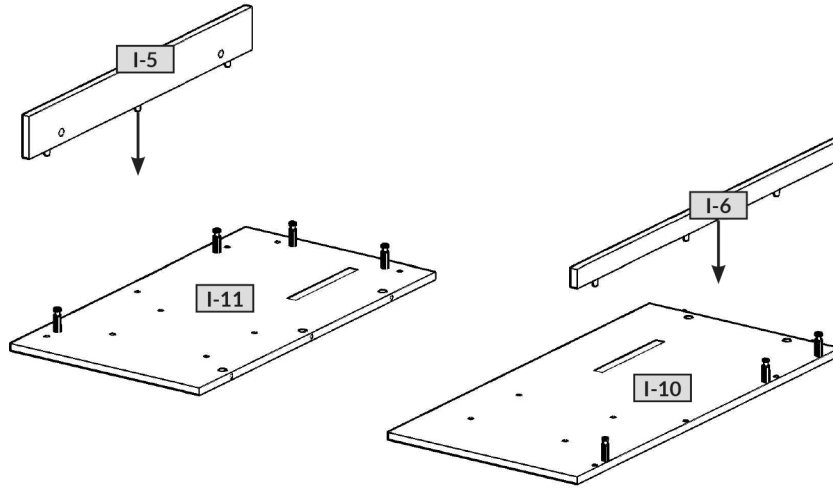
# 12



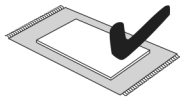
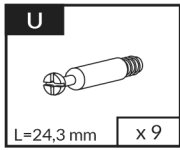
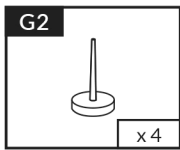
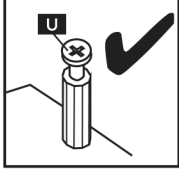
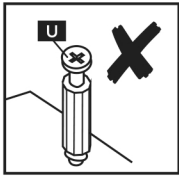
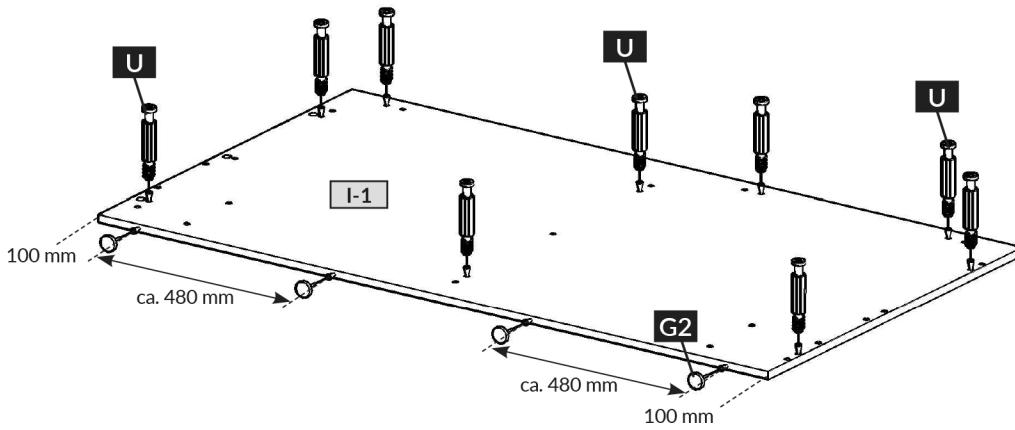
# 13



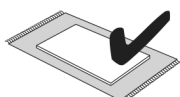
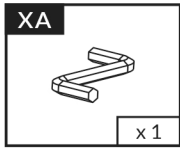
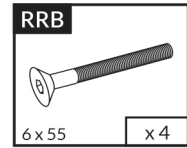
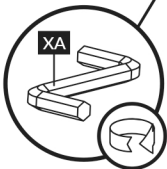
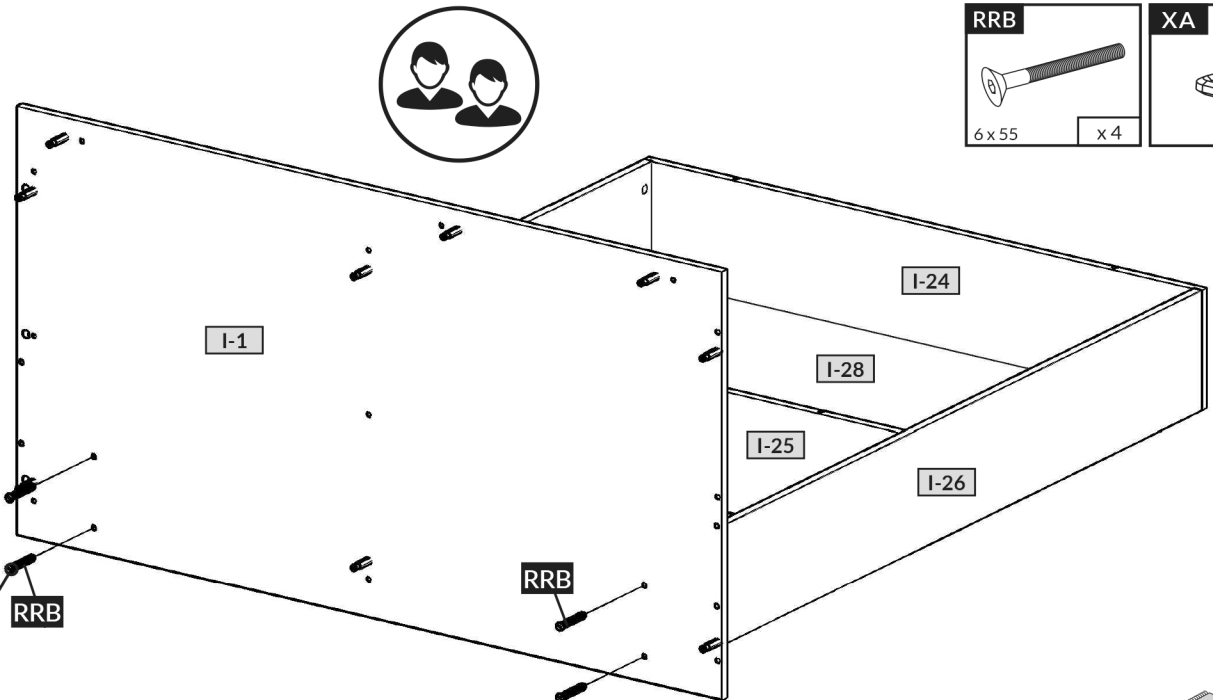
14



15

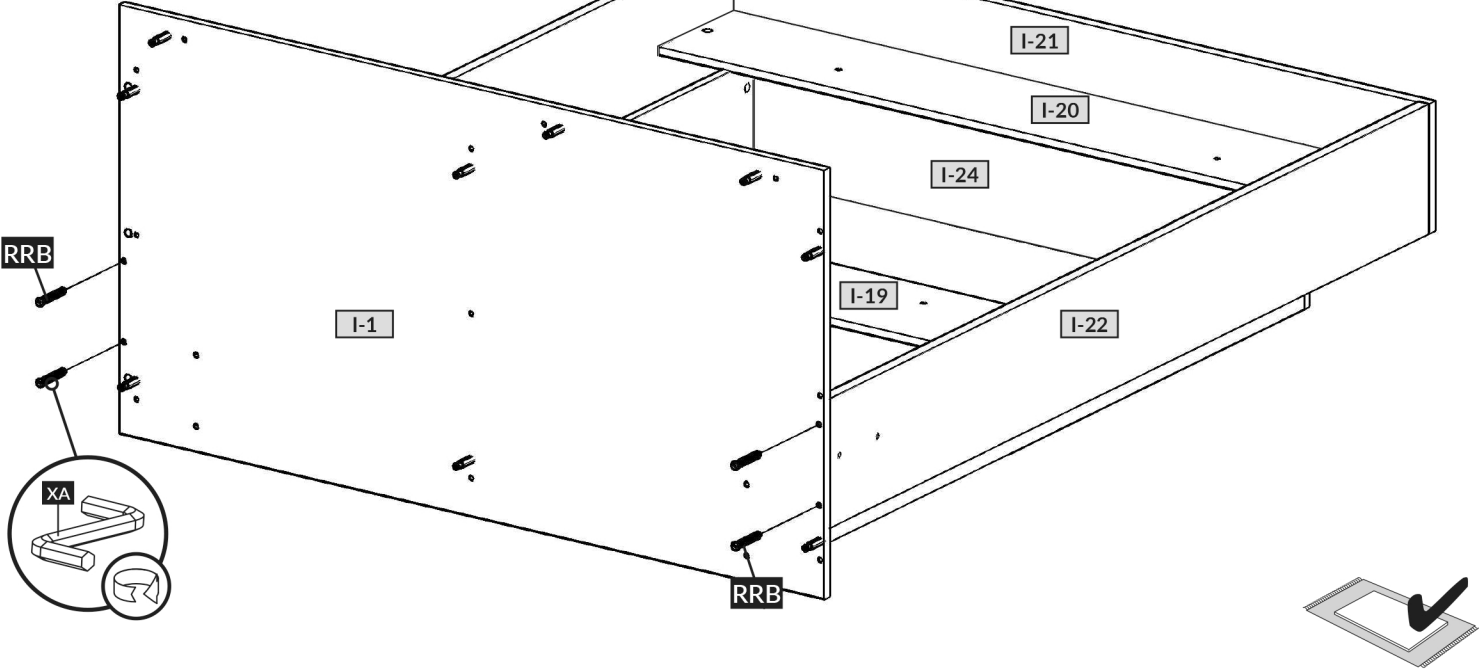
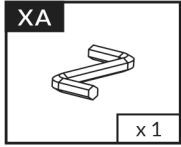
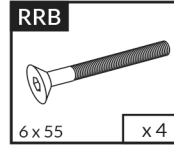


16

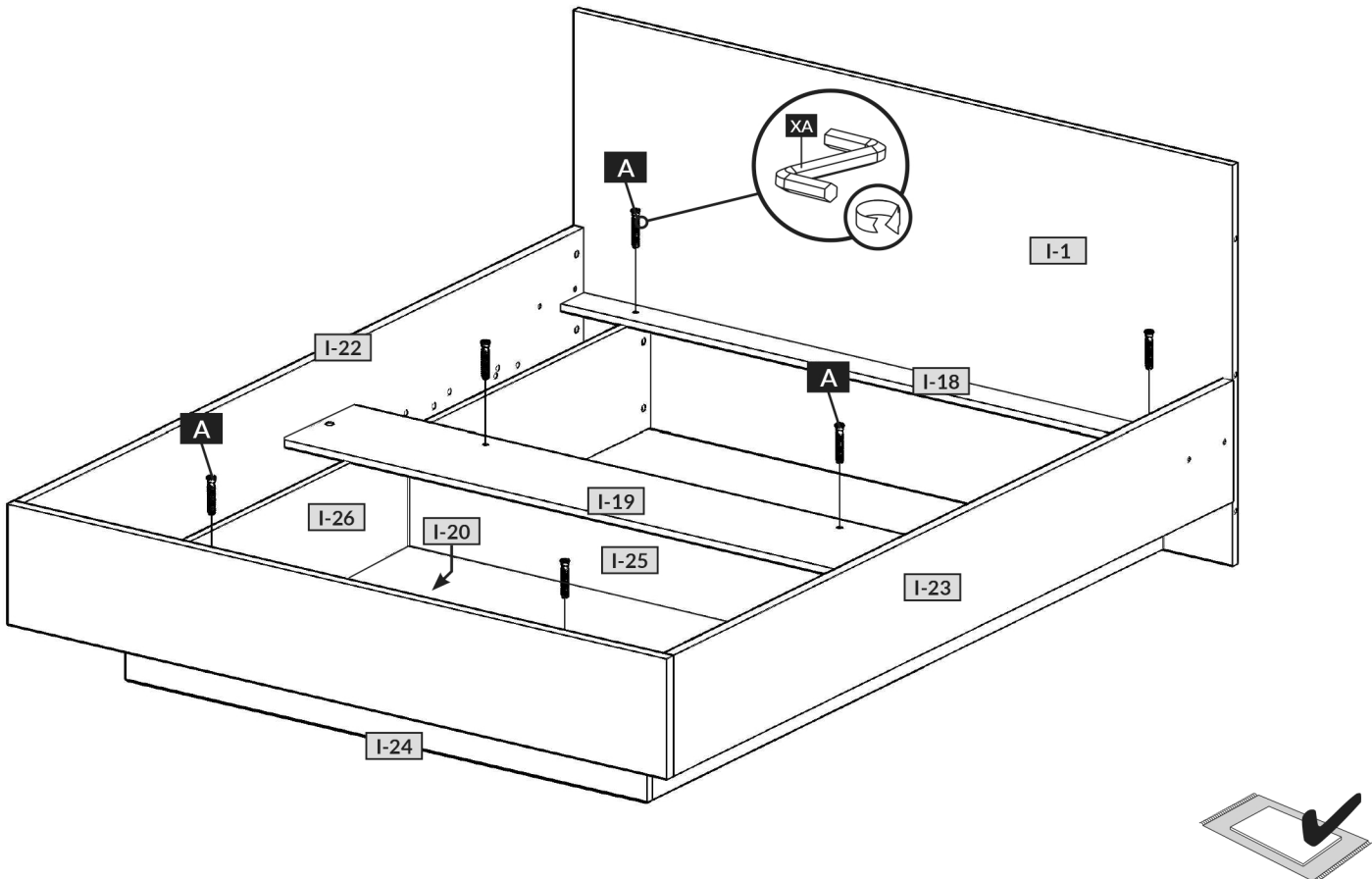
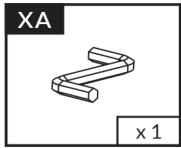
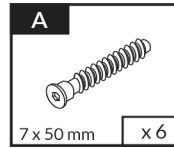




17



18

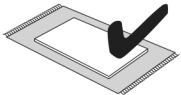
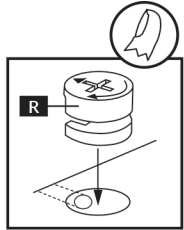
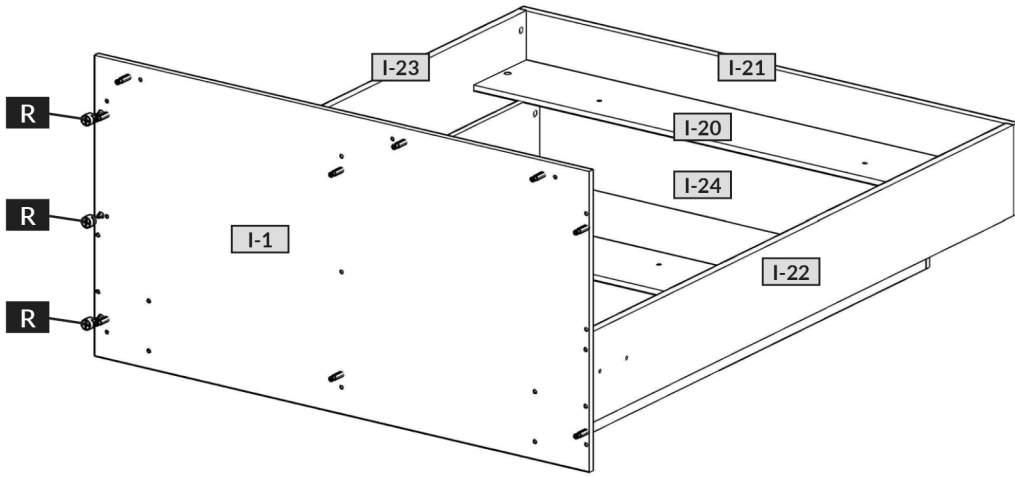


19

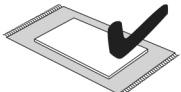
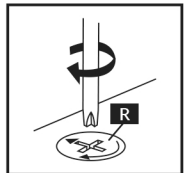
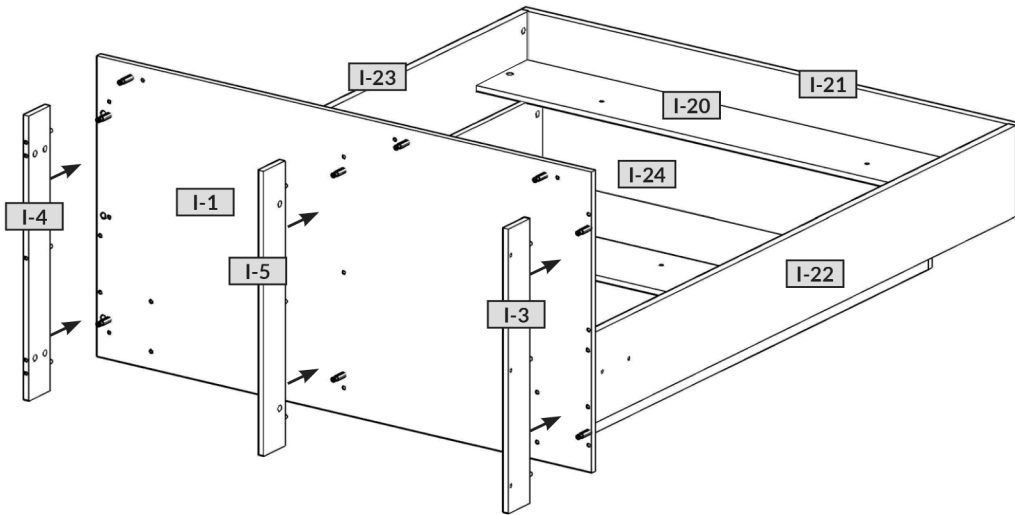
R



H=11mm x3



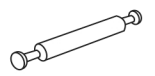
20



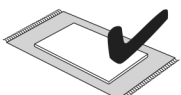
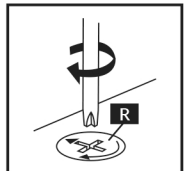
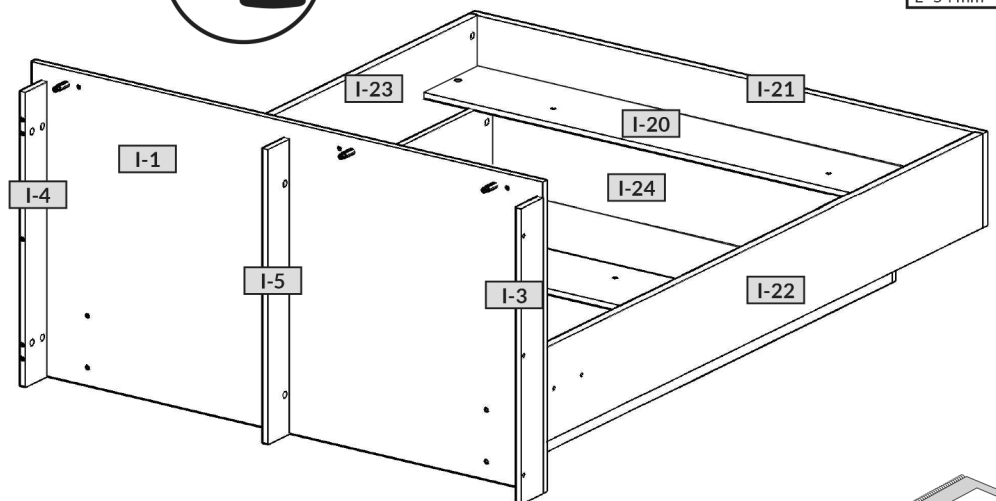
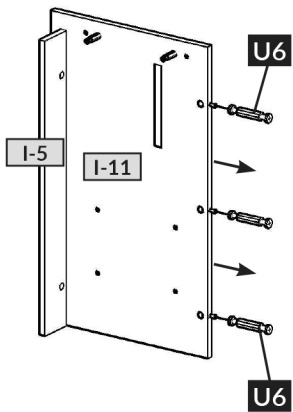
21



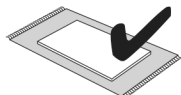
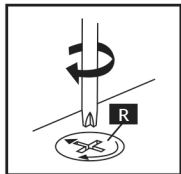
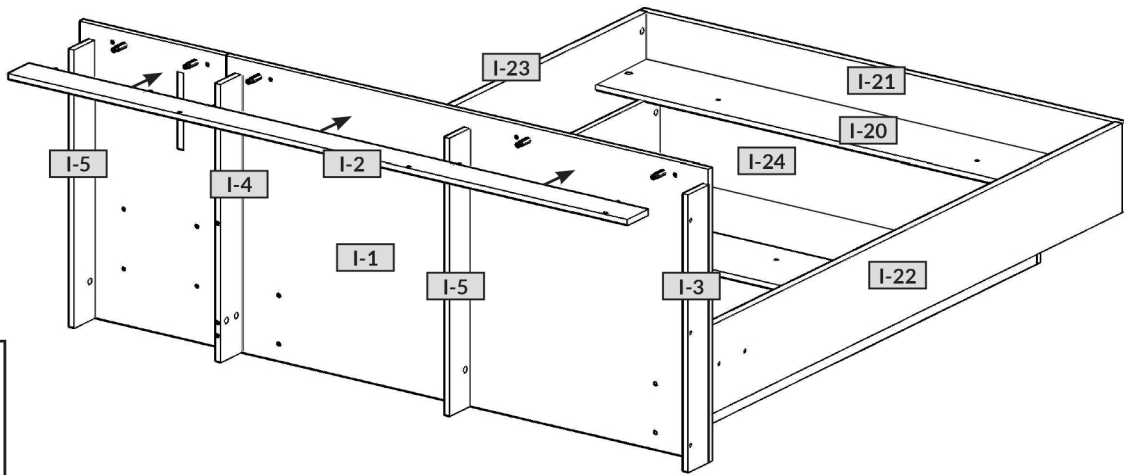
U6



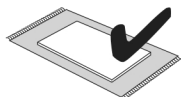
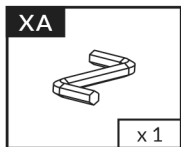
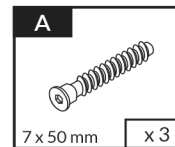
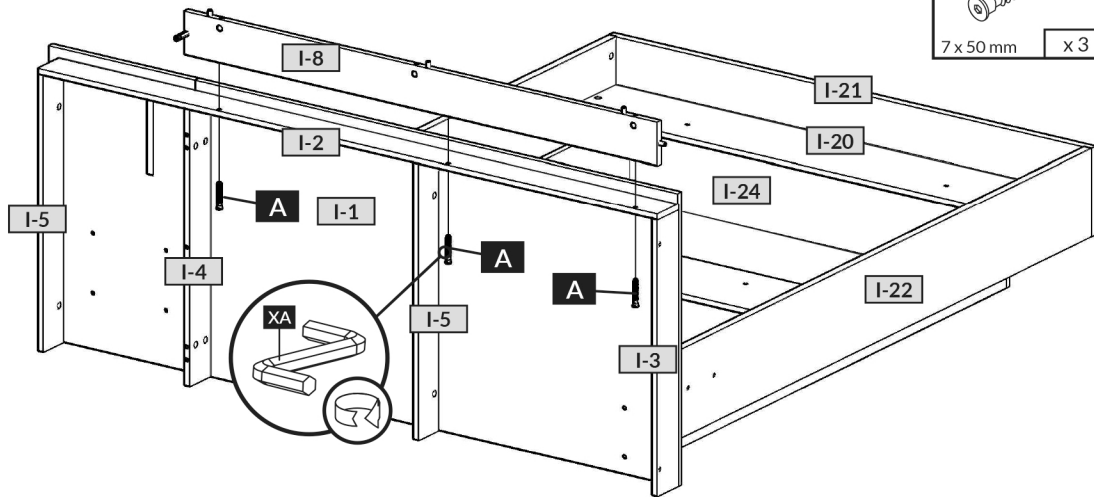
L=54mm x3



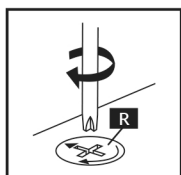
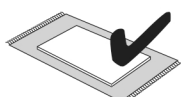
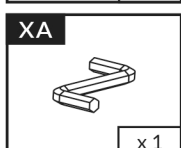
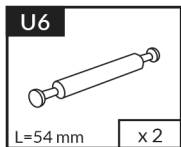
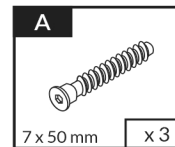
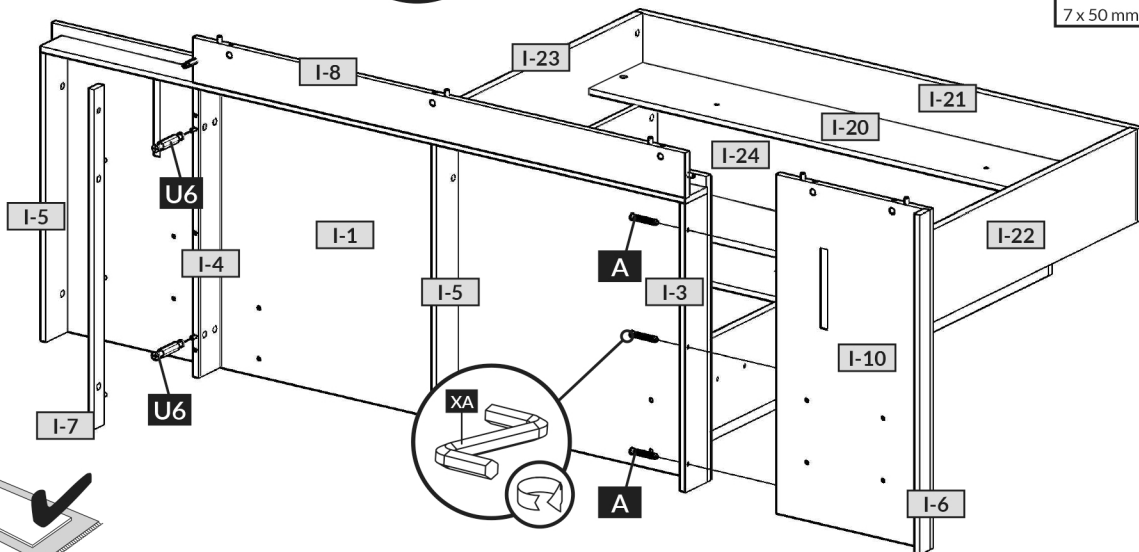
22

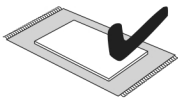
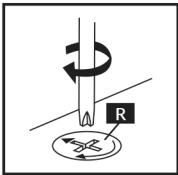
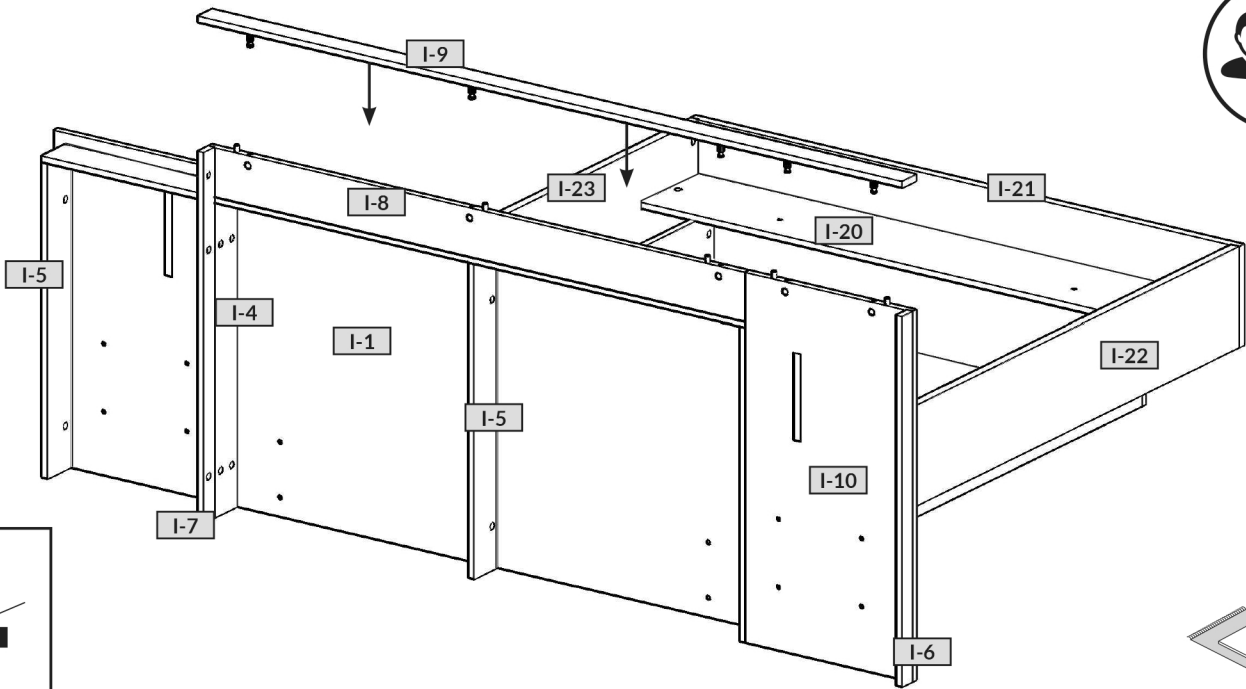


23

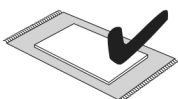
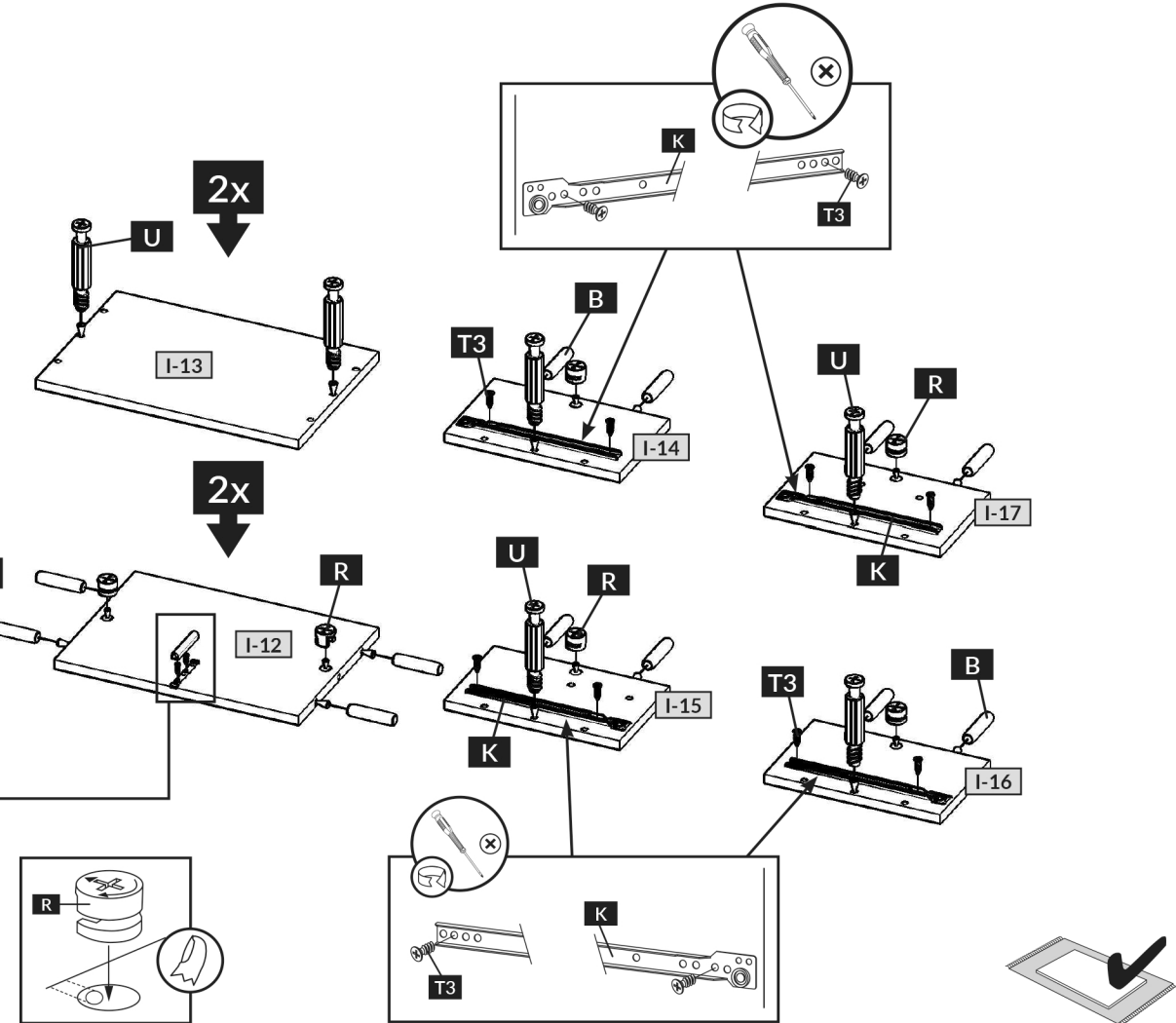
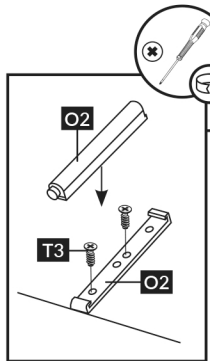
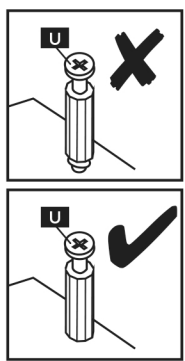


24

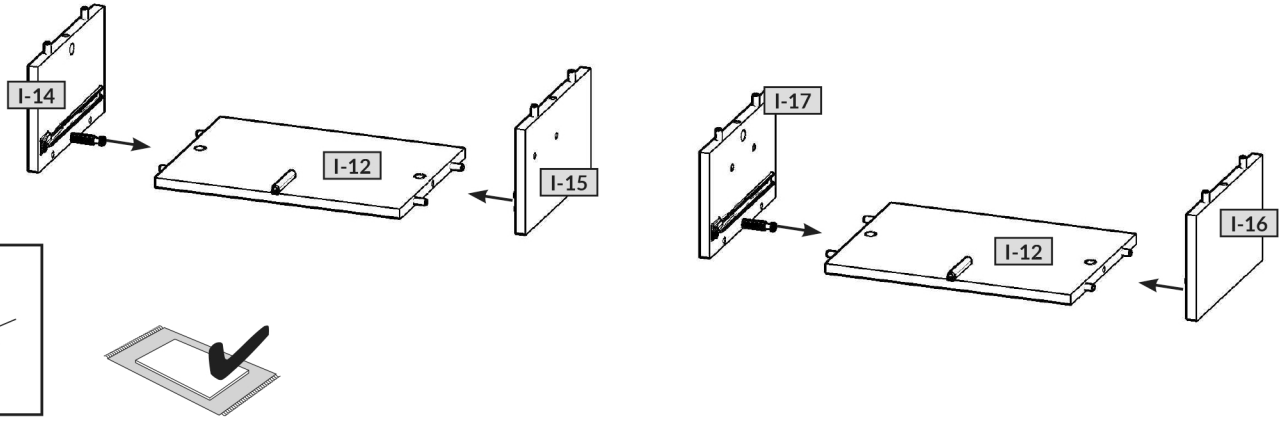




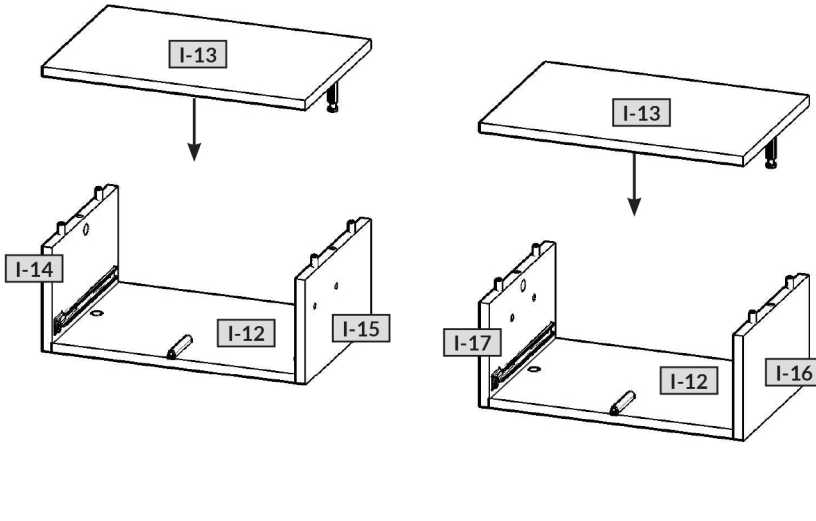
<p><b>B</b></p> <p>8x32 mm x 16</p>	<p><b>K</b></p> <p>L=250 mm x 2</p>	<p><b>O2</b></p> <p>x 2</p>	<p><b>R</b></p> <p>H=11 mm x 8</p>	<p><b>T3</b></p> <p>5x9 mm x 12</p>	<p><b>U</b></p> <p>L=24,3 mm x 8</p>
-------------------------------------	-------------------------------------	-----------------------------	------------------------------------	-------------------------------------	--------------------------------------



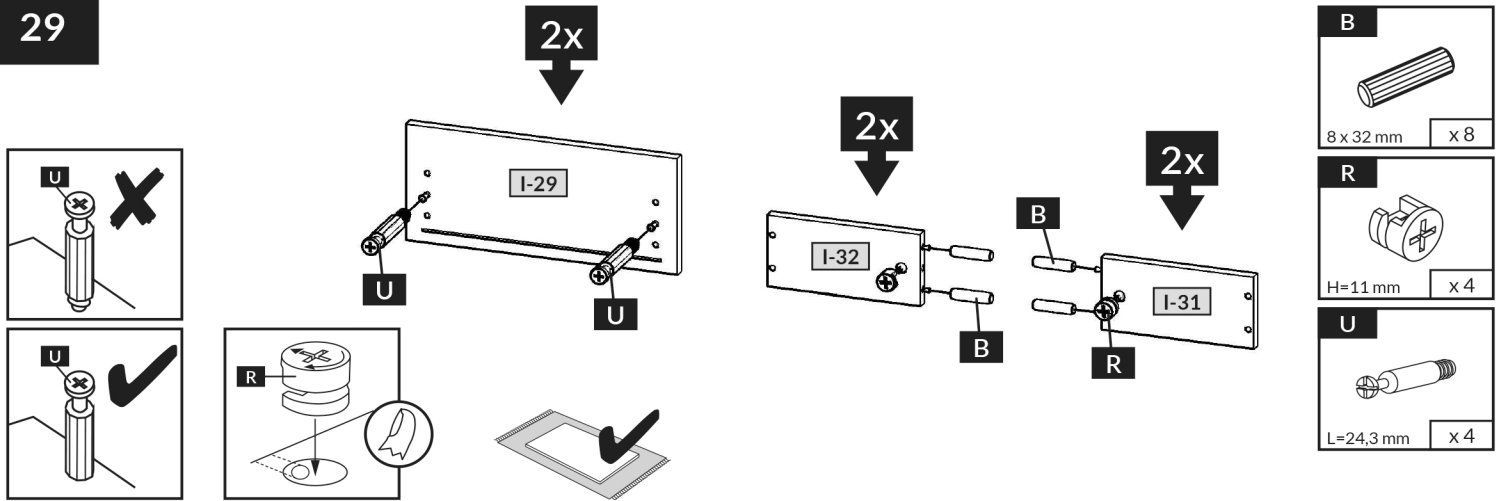
27



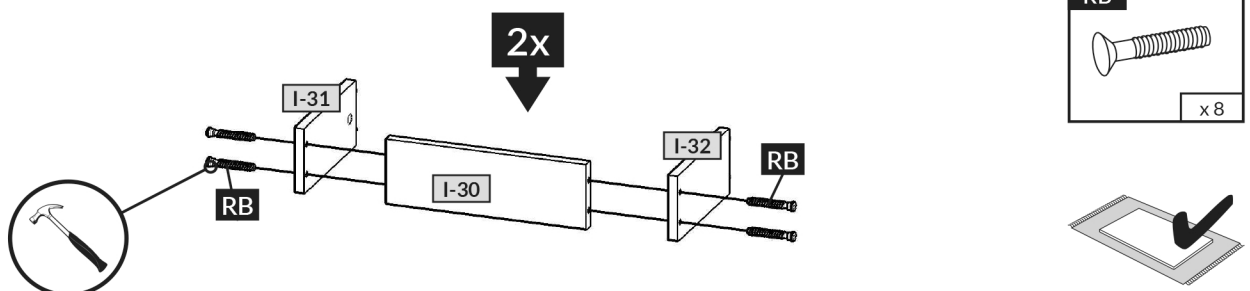
28



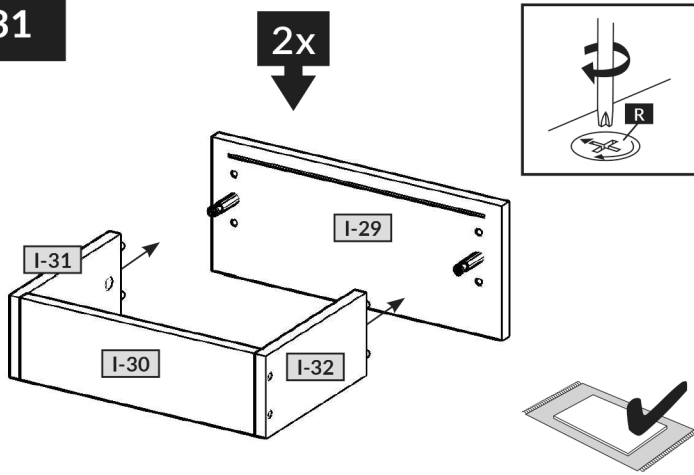
29



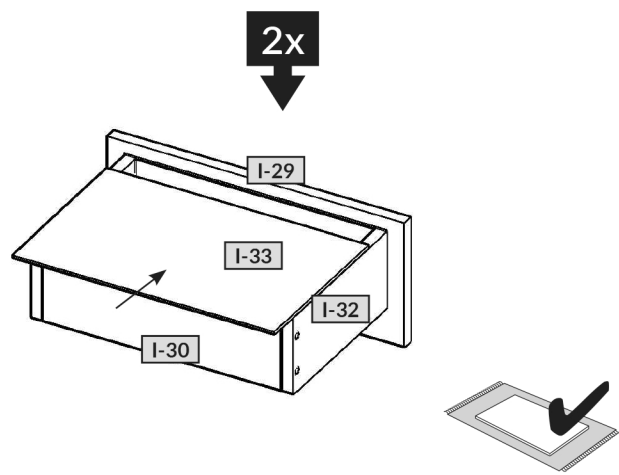
30



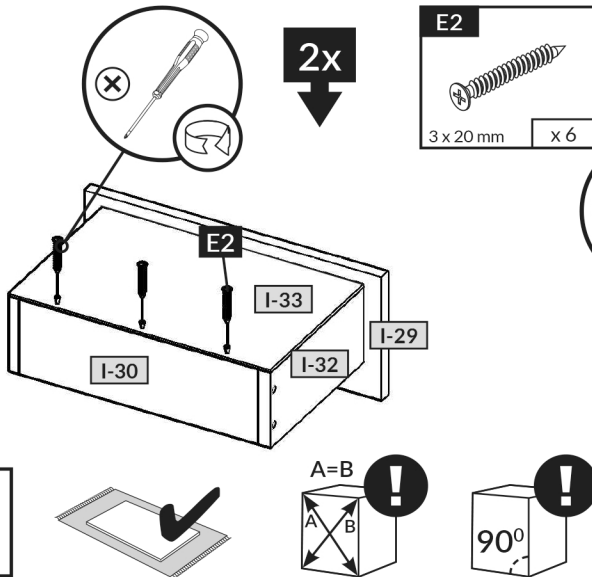
31



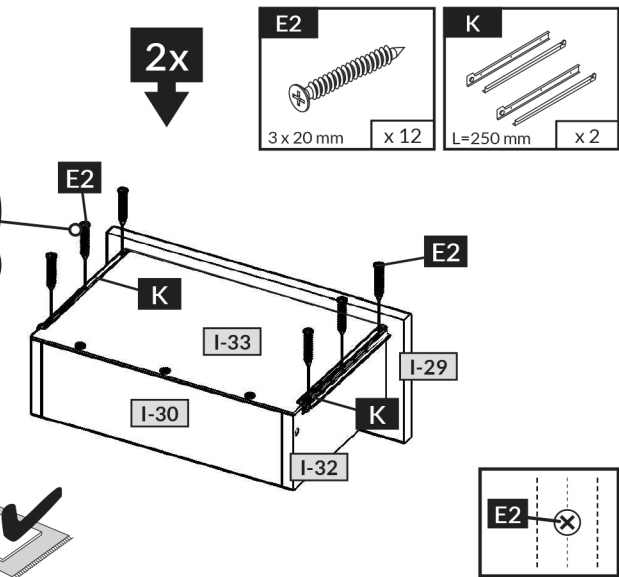
32



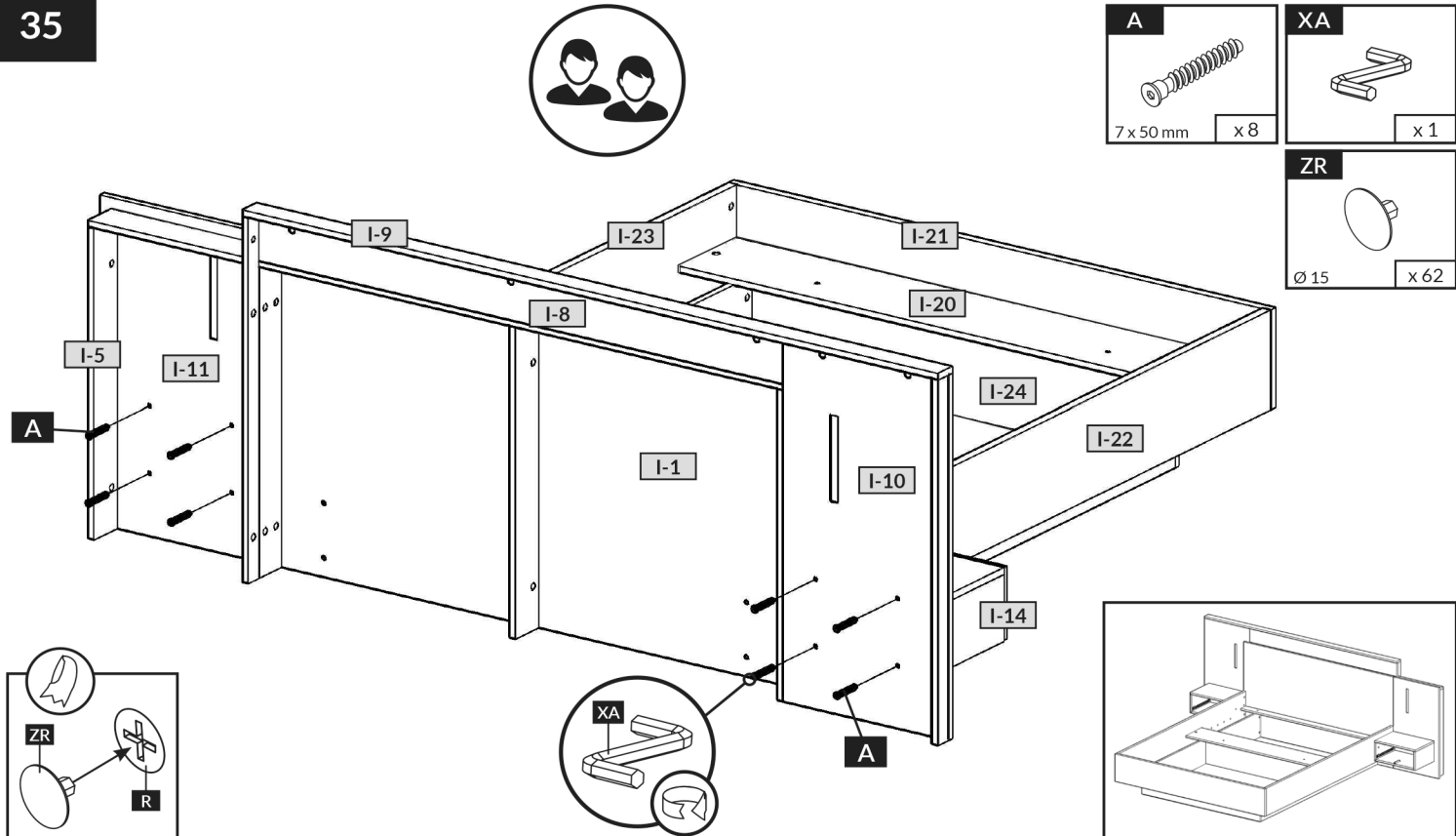
33



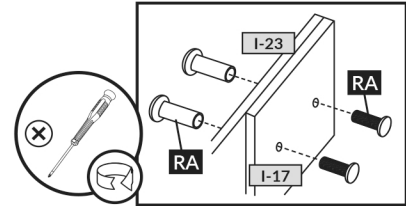
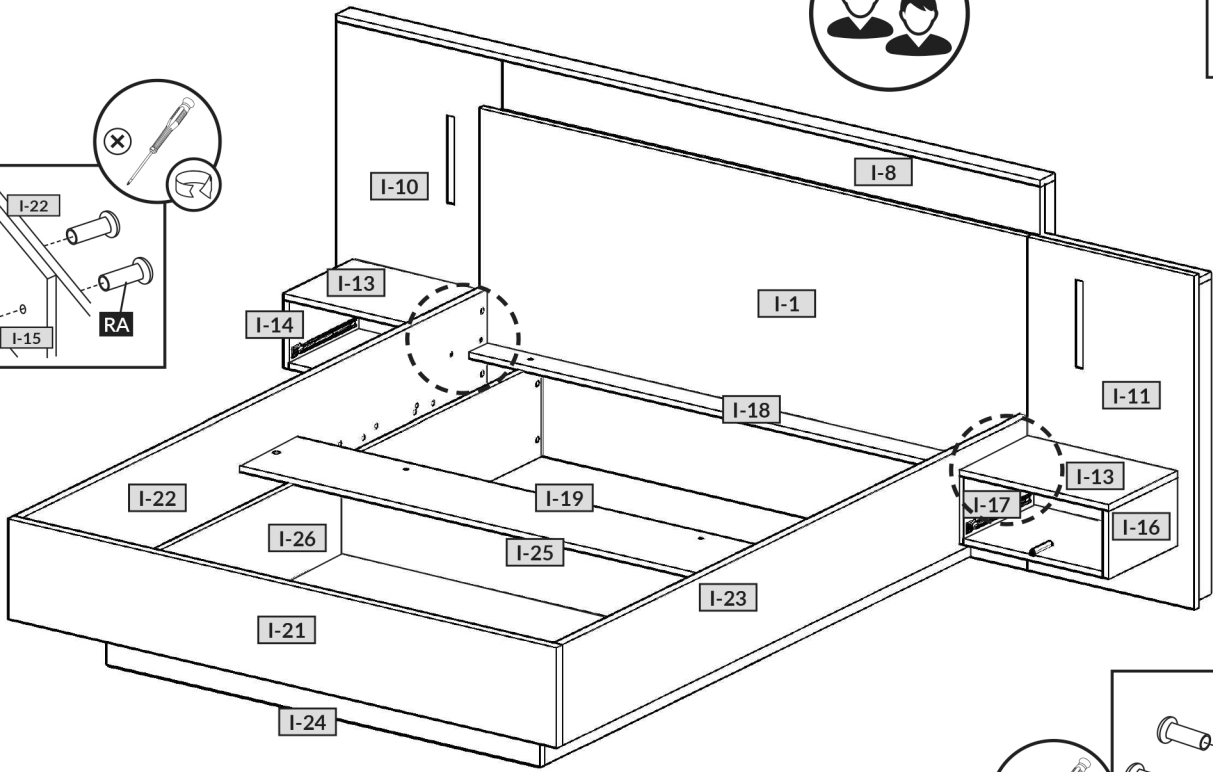
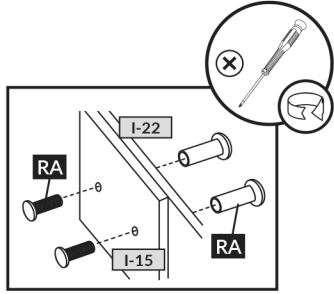
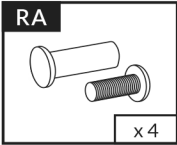
34



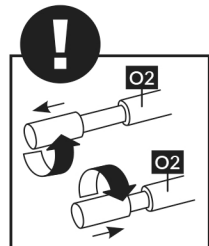
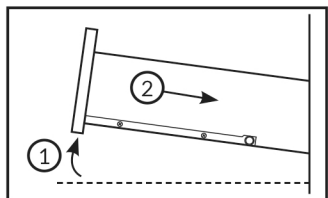
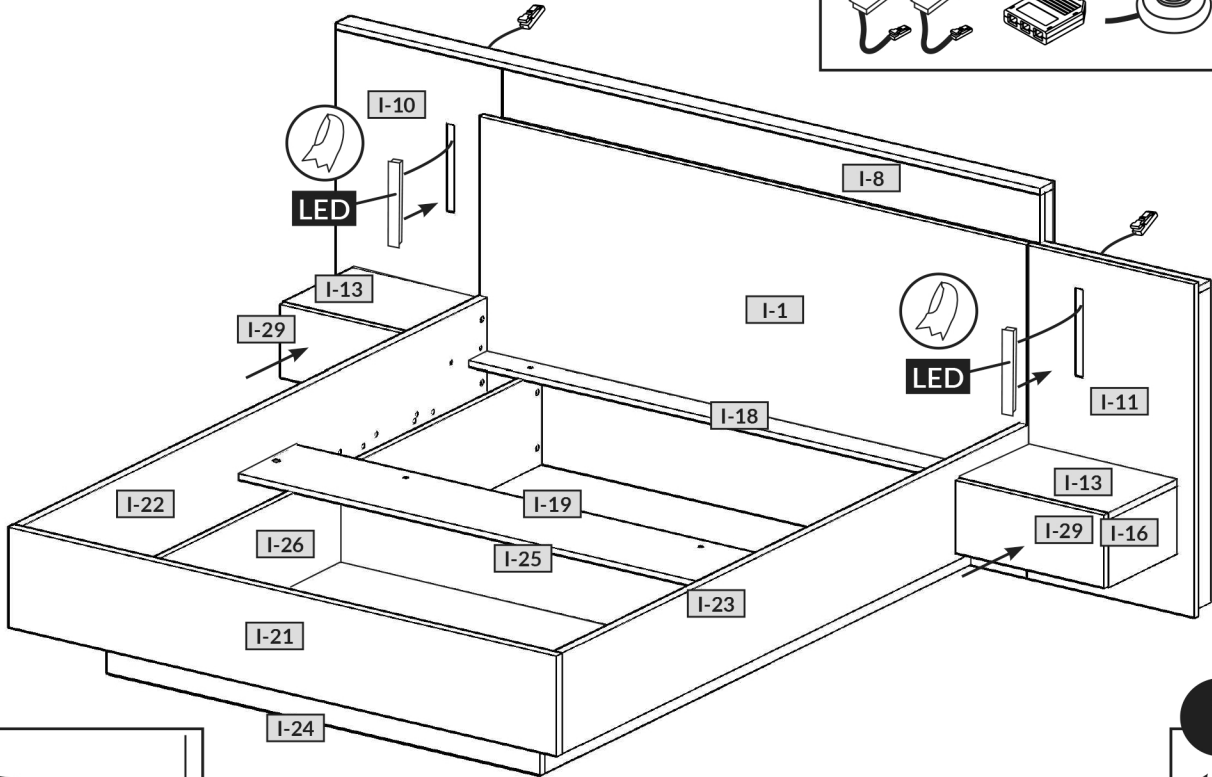
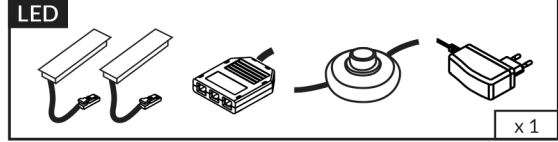
35



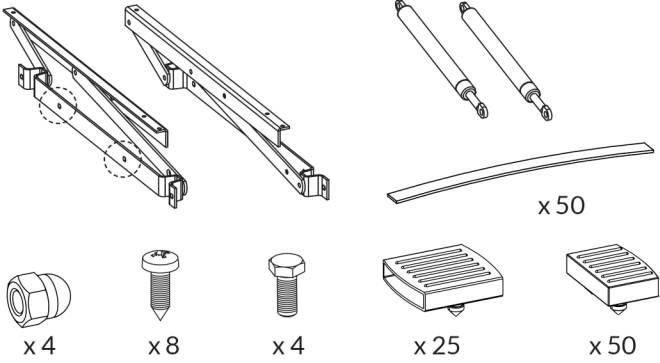
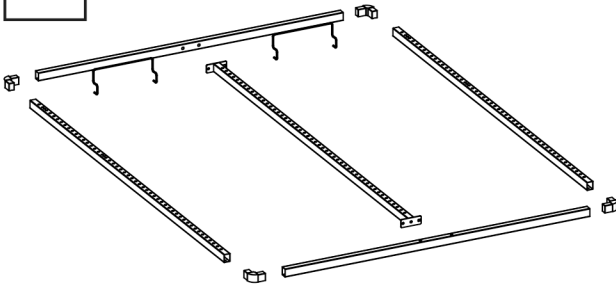
36



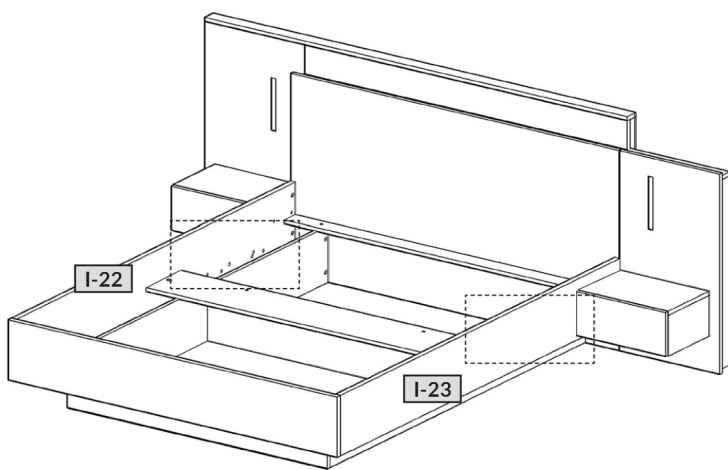
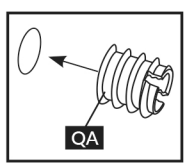
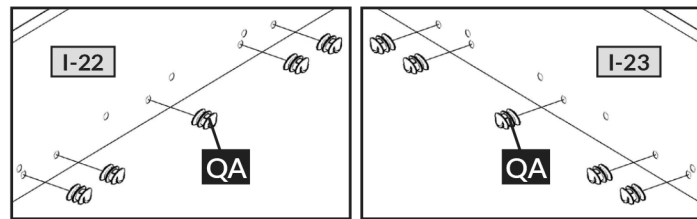
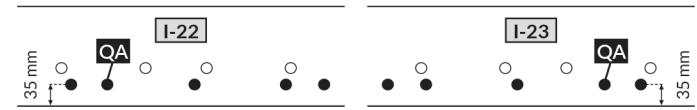
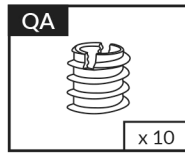
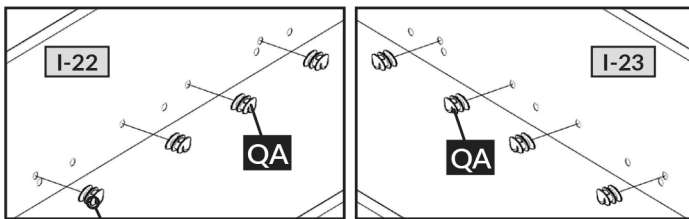
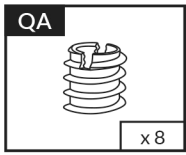
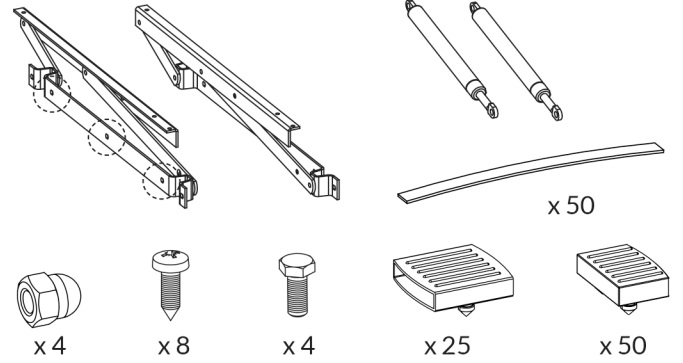
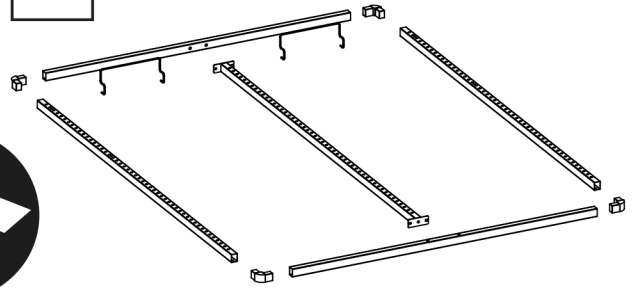
37



A

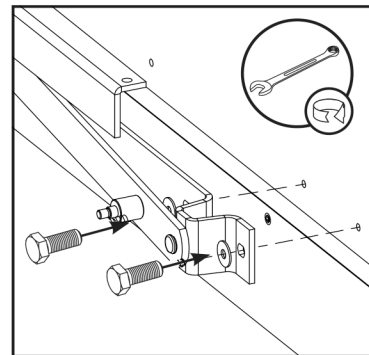
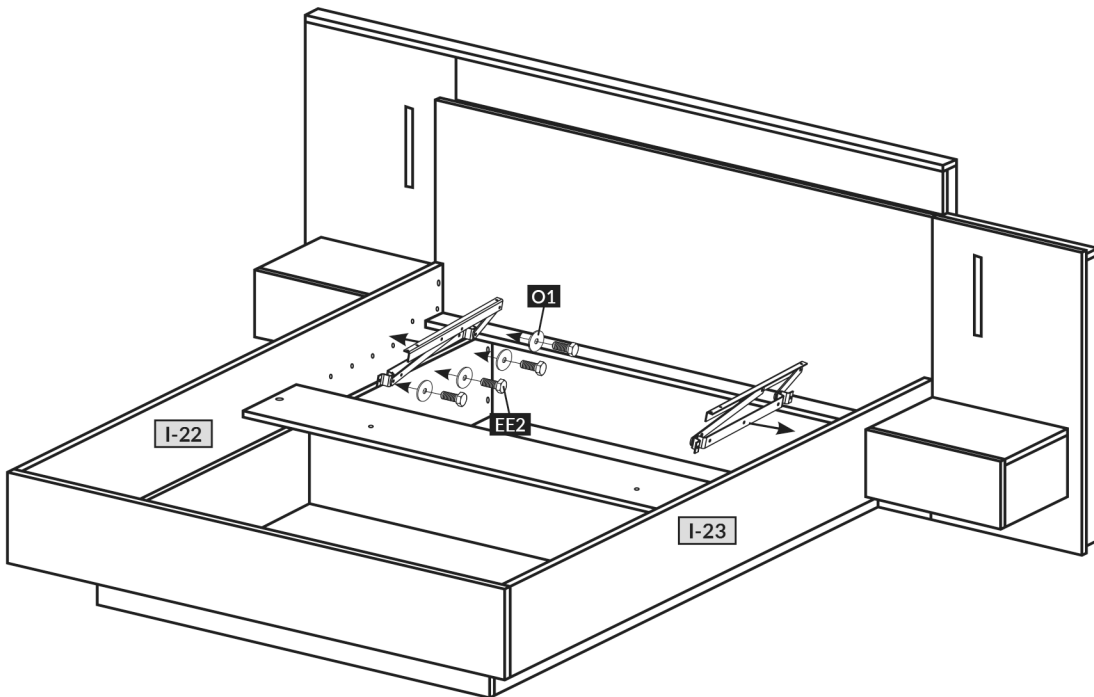


B





A



EE2



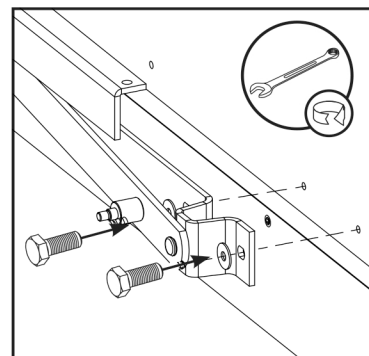
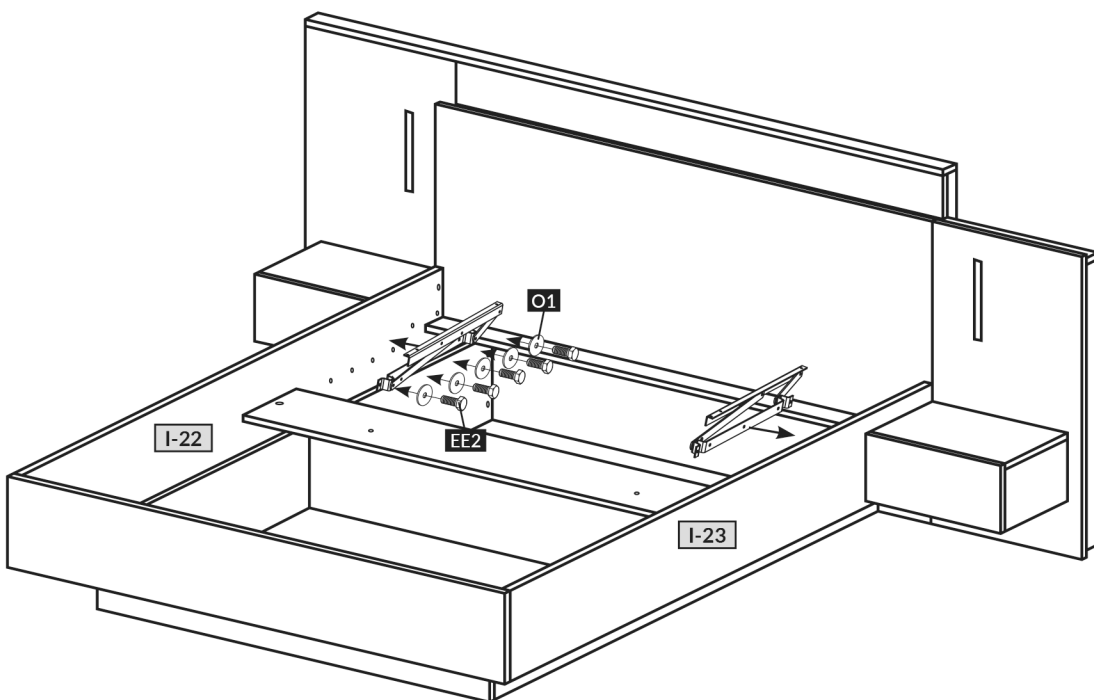
x 8

O1



x 8

B



EE2

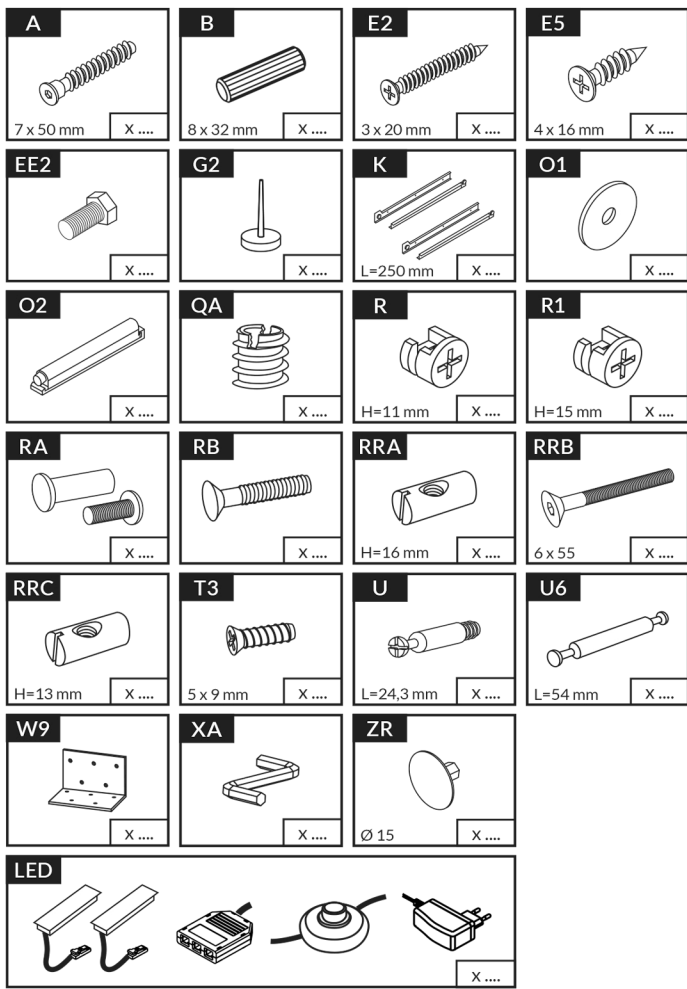


x 10

O1



x 10



I-1	900	1644	16	x 1	1/2
I-2	2112	100	16	x 1	2/2
I-3	852	100	16	x 1	1/2
I-4	852	100	16	x 1	2/2
I-5	852	100	16	x 2	1/2
I-6	1000	44	16	x 1	2/2
I-7	1000	44	16	x 1	2/2
I-8	132	1612	16	x 1	2/2
I-9	2112	60	16	x 1	2/2
I-10	1000	500	16	x 1	1/2
I-11	900	500	16	x 1	1/2
I-12	418	300	16	x 1	1/2
I-13	450	300	16	x 2	2/2
I-14	184	300	16	x 1	2/2
I-15	184	300	16	x 1	2/2
I-16	184	300	16	x 1	2/2
I-17	184	300	16	x 1	2/2

I-18	1600	80	16	x 1	1/2
I-19	1600	250	16	x 1	1/2
I-20	1600	250	16	x 1	1/2
I-21	1645	272	22	x 1	2/2
I-22	2022	270	22	x 1	2/2
I-23	2022	270	22	x 1	2/2
I-24	1301	250	16	x 1	1/2
I-25	1268	250	16	x 1	1/2
I-26	1850	250	16	x 1	2/2
I-27	1850	250	16	x 1	2/2
I-28	1296	1002	3	x 1	1/2
I-29	446	196	16	x 2	1/2
I-30	361	120	16	x 2	2/2
I-31	250	120	16	x 2	2/2
I-32	250	120	16	x 2	2/2
I-33	392	256	3	x 2	1/2

